

CORNER RECORD

COUNTY OF Plumas T. 27N R. 12E Mt Diablo MERIDIAN CALIFORNIA
CORNER TYPE: GOV'L CORNER MEANDER RANCHO CONTROL OTHER
CORNER IDENTIFICATION - DATE OF VISIT Sept 23 1996



CORNER - LEFT AS FOUND FOUND AND TAGGED REESTABLISHED OBLITERATED CORNER REBUILT

PHYSICAL DESCRIPTION OF CORNER FOUND, EVIDENCE AND METHOD USED TO IDENTIFY OR REESTABLISH

G.L.D. Notes 1878
granite Stone 16"x10"x8"
fir 30", N 28° E 19.1'
PINE 16", N 58° W 79.2'
PINE 8", S 22° W 55.4'
PINE 60", S 46° W 37.6'
FOUND
granite stone 24"x12"x8" IN stone mound.
decaying stump 42", with exposed scribe, N 36° E, 19'
PINE 32", with Blaze, N 58° W, 78.8'
SUGAR PINE 31", with Blaze, S 22° W, 55.7'
SUGAR PINE 68", with Blaze, S 48° E, 40'

PHYSICAL DESCRIPTION OF MONUMENTS REBUILT OR PERPETUATED

Set 1 1/2 inch galvanized pipe, 54" long with standard 2 1/2" D.W.R. brass cap 40" into ground and built a rock mound around it.

(DWR) = Department of Water Resources

CALIFORNIA COORDINATE SYSTEM ORDER: FIRST SECOND THIRD
STATIONS USED: NGS (USC & GS) STATE COUNTY OTHER STATION _____
ZONE _____ ELEVATION _____ NORTHINGS (Y) _____ EASTINGS (X) _____

SKETCH: (Include reference tie or witness points, remarks and topo of area)

See Attached Sketch -- Exhibit 'A'
Photo Copy -- Exhibit 'B'

SURVEYOR'S CERTIFICATE

THIS CORNER RECORD WAS PREPARED BY ME OR UNDER MY DIRECTION IN CONFORMANCE WITH THE LAND SURVEYORS ACT ON February 7 1997

SIGNED: John E. Coplantz
L.S. or R.C.E. No. 3664



COUNTY SURVEYOR'S CERTIFICATE

THE CORNER RECORD WAS RECEIVED 2/26 1997 AND EXAMINED AND FILED 5/6 1997

BY: R. Tom Spitzer
TITLE: Co Surveyor

DOCUMENT No. 139

STATEMENT ON BACK OF SHEET

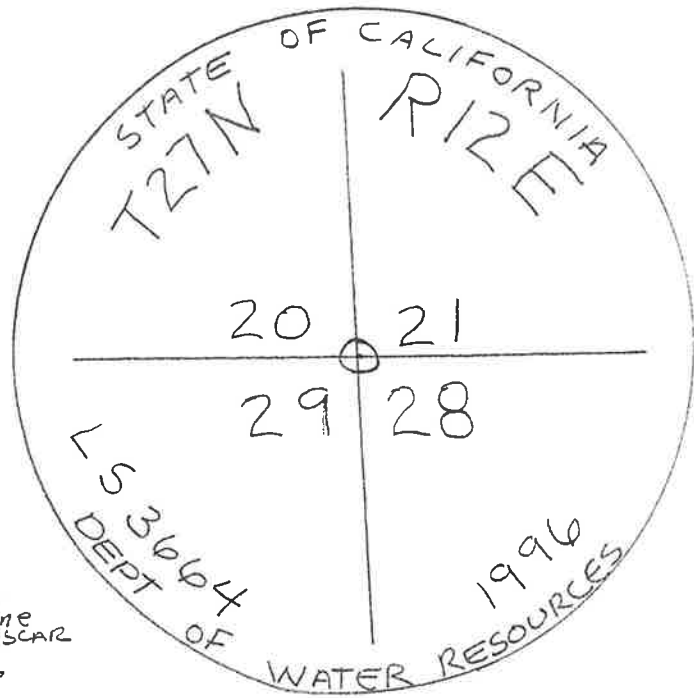
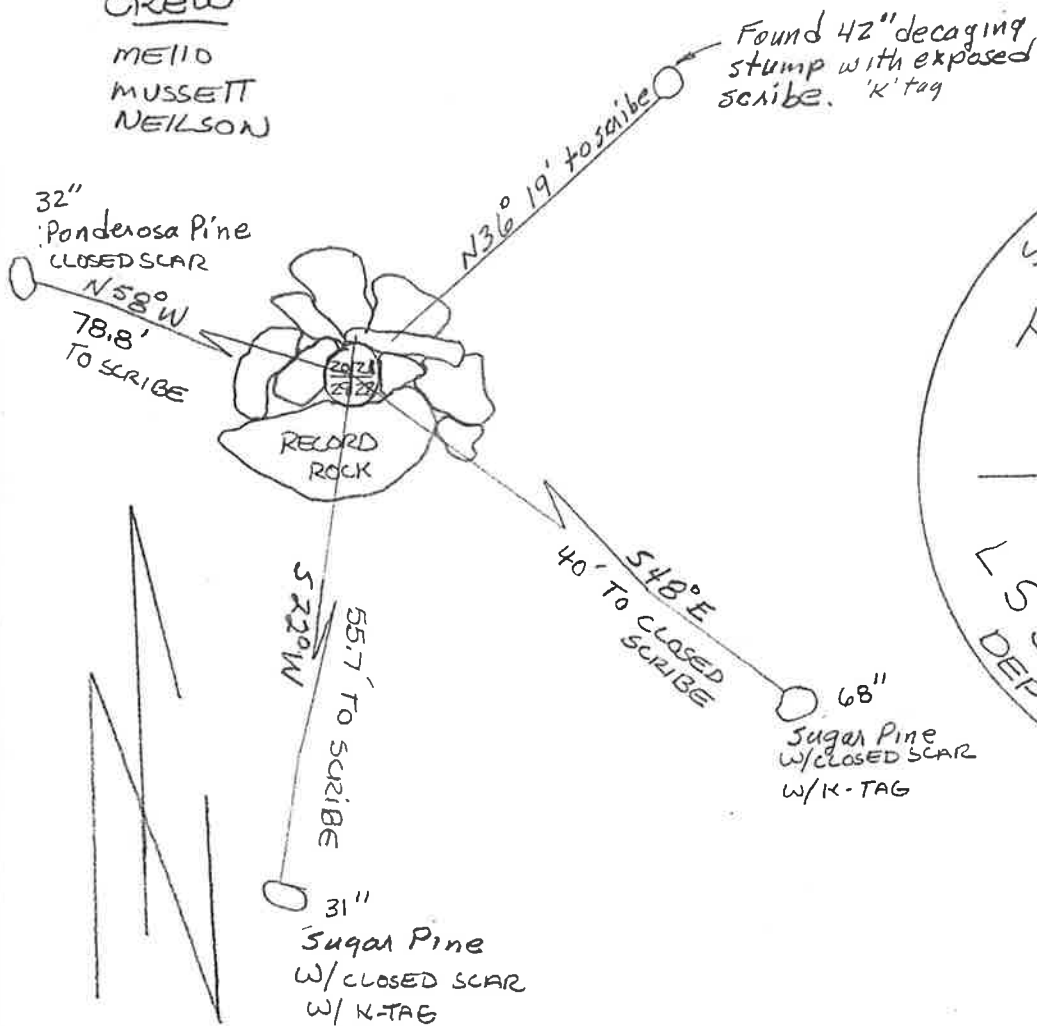
YES NO

139

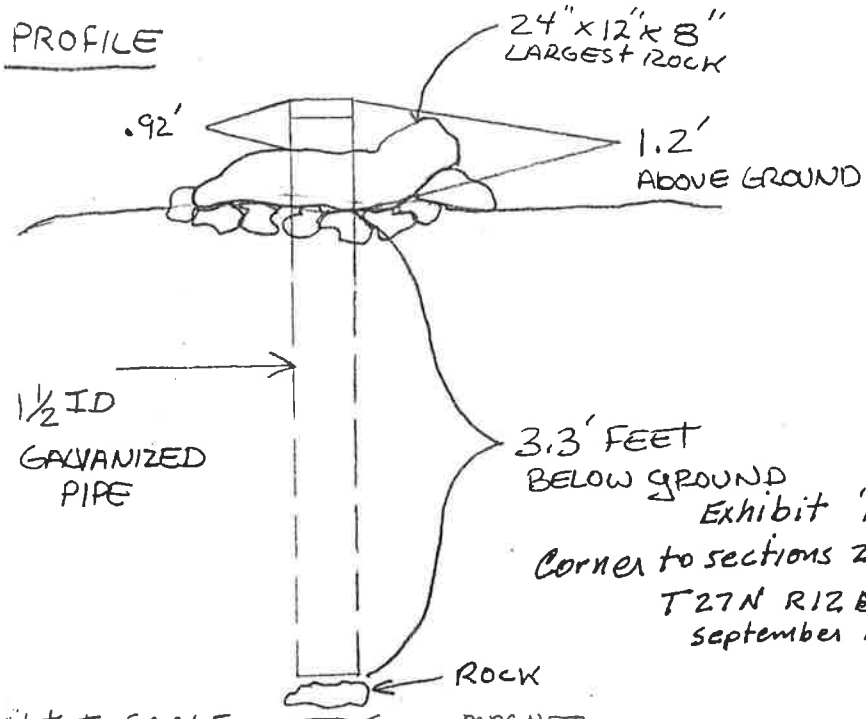
ANTELOPE BOUNDARY MONUMENT PERPETUATION

CREW
 MELLIO
 MUSSETT
 NEILSON

STANDARD 2 1/2" D. W.R. BRASS CAP
 STAMPED AS SHOWN BELOW



PROFILE



CONSTRUCTION OF MONUMENT REFERENCE - MANUAL OF INSTRUCTIONS 1973 SECTION 4-9.

CAP IS PINNED ONTO 1 1/2" ID GALVANIZED PIPE 4.5' FEET LONG.

SET IN PLACE OF ORIGINAL ROCK MOUND. ROCKS WERE CAREFULLY REMOVED TO EXCAVATE HOLE. MAGNET WAS SET AT BOTTOM OF HOLE. ROCKS WERE ALSO PUT JUST BELOW SURFACE AND ORIGINAL ROCK MOUND WAS PLACED AROUND PIPE, AS NEAR TO ORIGINAL PLACEMENT AS POSSIBLE.

GLO NOTES AVAILABLE

Corner to sections 20, 21, 28 and 29
 T27N R12E MDM
 September 1996

1/4" = 10' SCALE

Cap Stamping

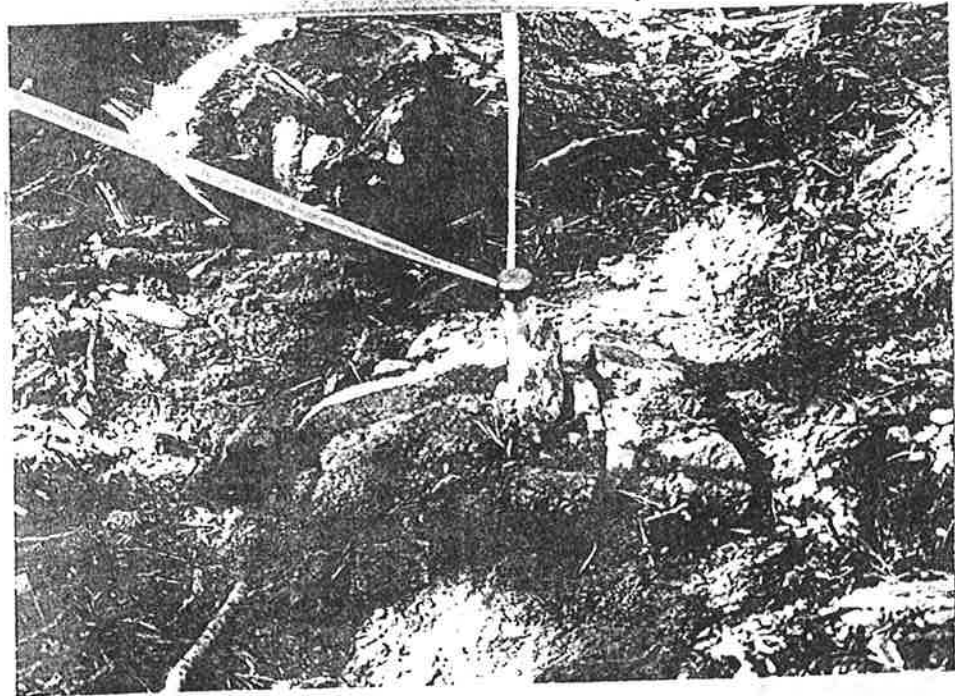
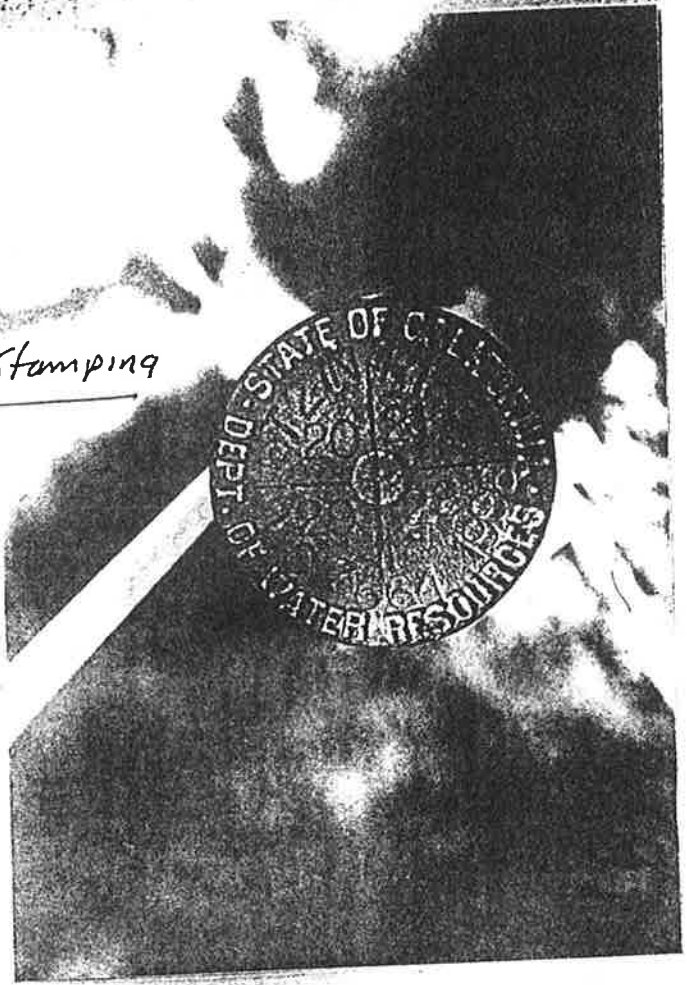


Photo -- Exhibit 'B'
Corner to Sections 20, 21, 28 and 29
T27N R12E MDM
September 1996