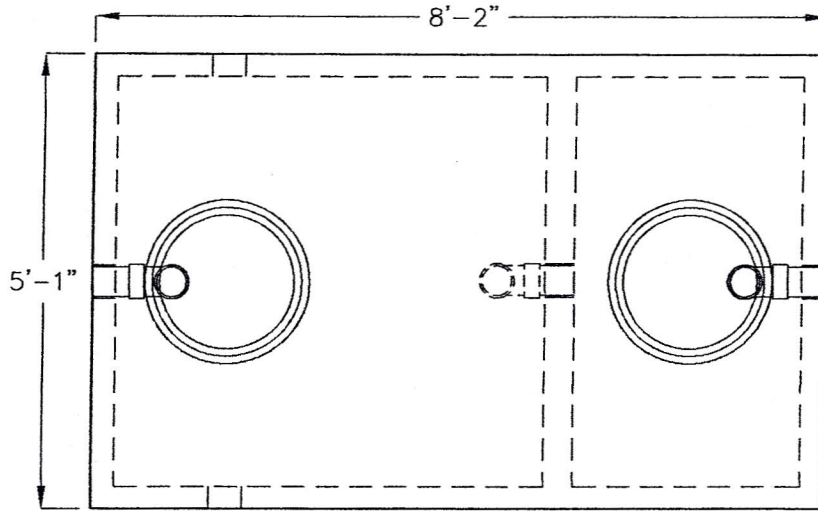
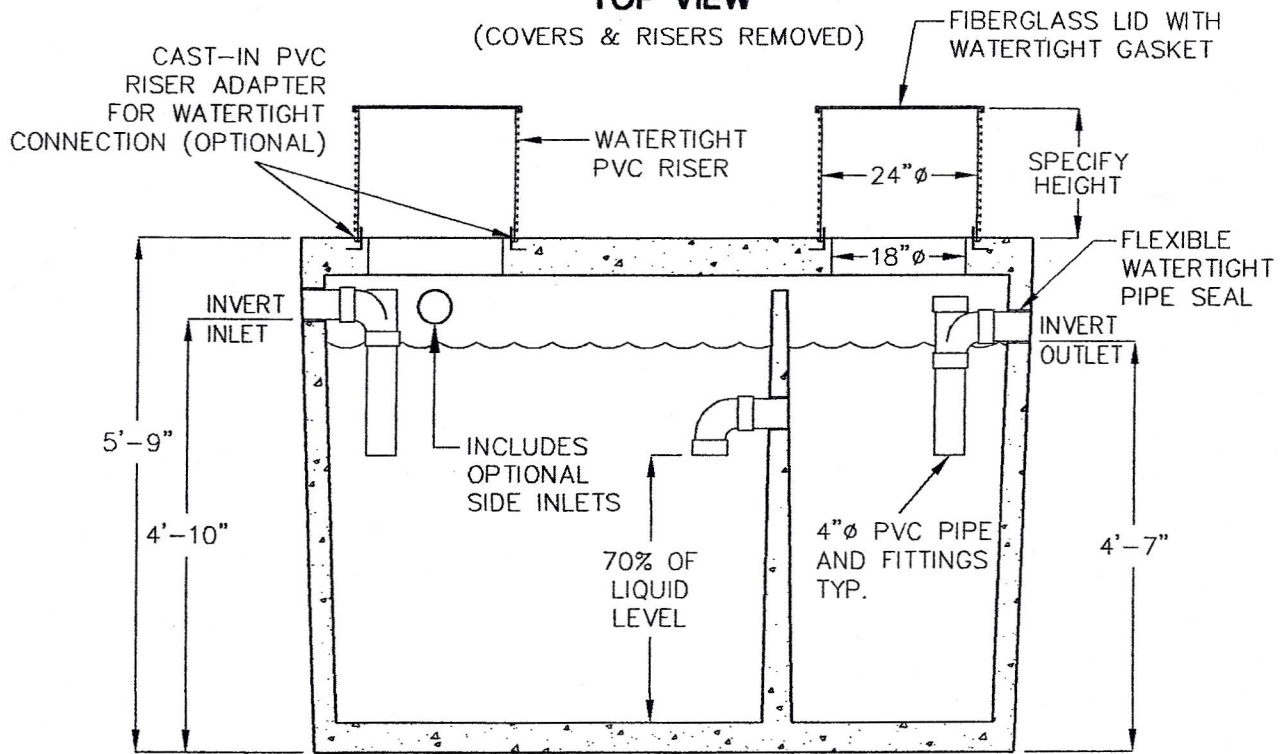


# MODEL JM1000

## MONOLITHICALLY-CONSTRUCTED 1000 GALLON TANK



**TOP VIEW**



**SECTION VIEW**

LIQUID CAPACITY: 1000 GALLONS  
 BOX DESIGN LOAD: 4' OF SOIL COVER + 200 LBS./SQ. FT.  
 SURCHARGE AND 2,500 LB. WHEEL LOAD WITH 4' OF SOIL COVER.  
 CONFORMS TO ASTM C1227, OSI "STEP" TANK SPECIFICATION, AND  
 NPCA BEST PRACTICE MANUAL.

FOR COMPLETE DESIGN  
 AND PRODUCT INFORMATION,  
 CONTACT JENSEN PRECAST.