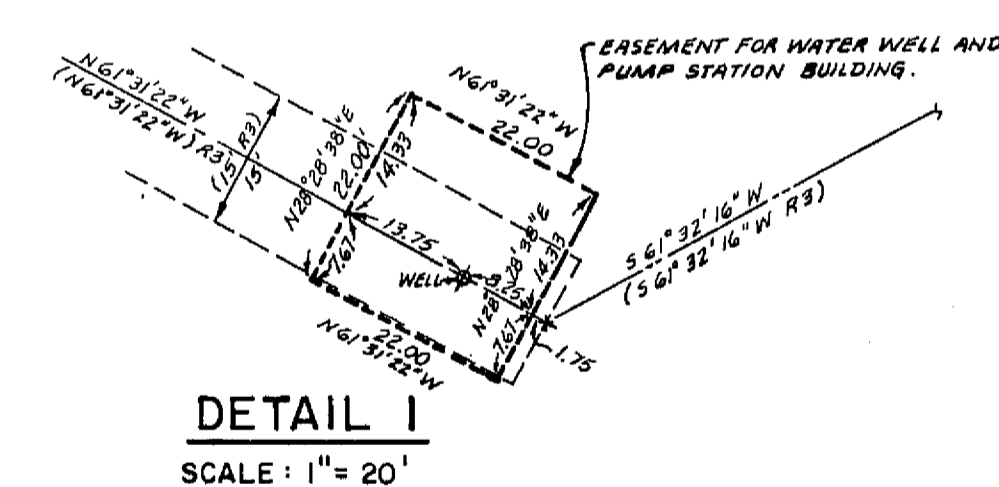
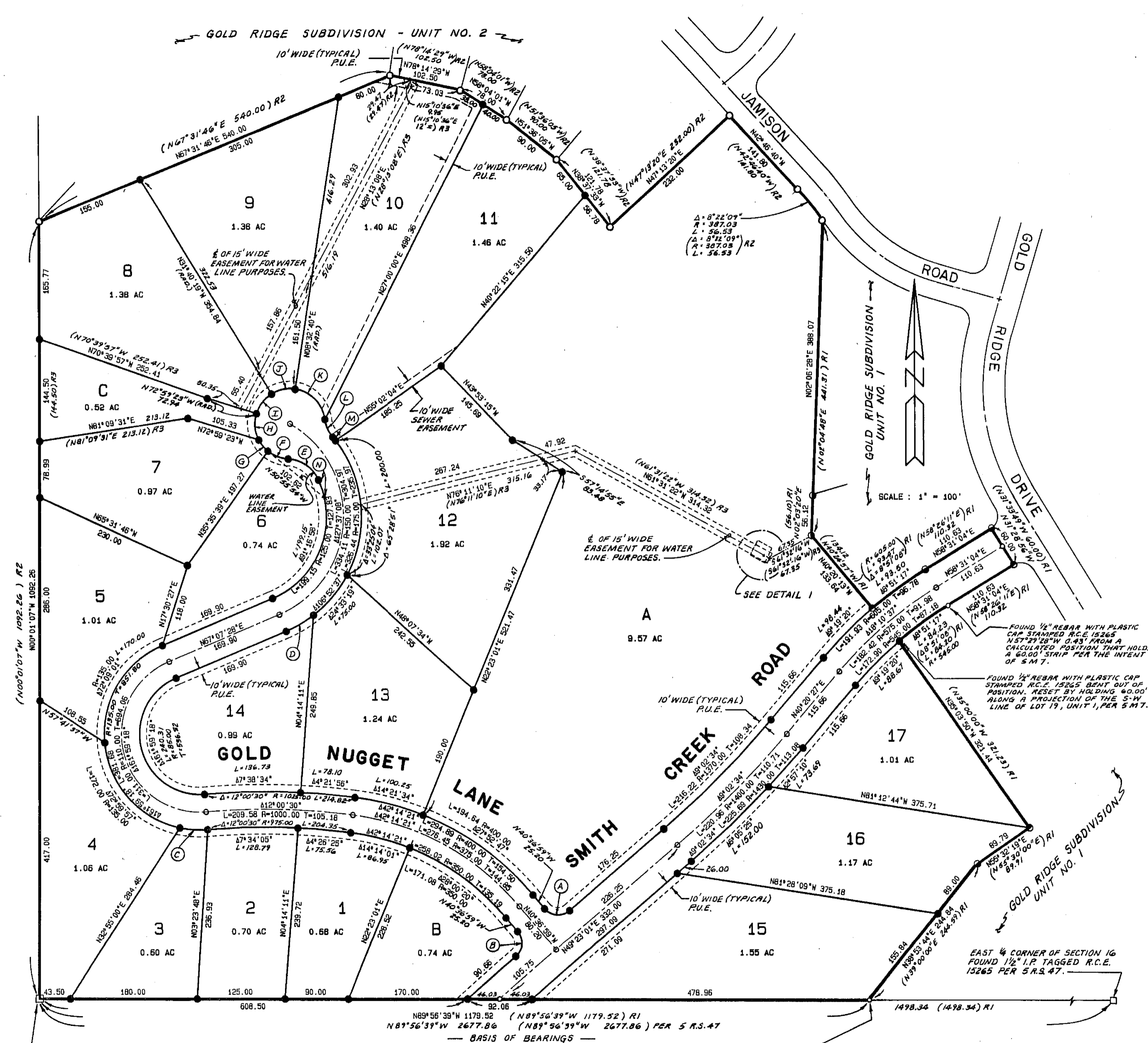


**LEGEND**

- FOUND SECTION SUBDIVISION CORNER AS NOTED.
- FOUND 1/2" REBAR WITH ALUMINUM CAP STAMPED R.C.E. 13225 PER 6 M. 68.
- FOUND 1/2" REBAR WITH PLASTIC CAP STAMPED R.C.E. 15265 PER 5 M. 7 UNLESS OTHERWISE NOTED.
- SET 1/2" REBAR WITH ALUMINUM CAP STAMPED R.C.E. 13225.
- , + COMPUTED POINT, NOTHING SET.
- 1 M. 2 MAPS, BOOK AND PAGE.
- 1 R.S. 23 RECORD OF SURVEYS, BOOK AND PAGE.
- (RAD.) RADIAL BEARING.
- P.U.E. PUBLIC UTILITY EASEMENT.
- 123 O.R. 345 OFFICIAL RECORD, VOLUME AND PAGE.
- ( )R1 RECORD DATA PER 5 M. 7.
- ( )R2 RECORD DATA PER 6 M. 68.
- ( )R3 RECORD DATA PER 496 O.R. 400.

**CURVE TABLE**

CURVE	Δ	R	L
A	90°00'00"	25.00	39.27
B	90°00'00"	25.00	39.27
C	16°50'21"	135.00	39.68
D	14°44'00"	175.00	45.00
E	62°43'13"	50.00	54.73
F	35°56'49"	50.00	31.37
G	23°30'54"	50.00	20.52
H	44°25'37"	50.00	38.77
I	41°19'03"	50.00	36.06
J	40°12'59"	50.00	35.10
K	73°47'32"	50.00	64.40
L	32°05'21"	50.00	28.00
M	02°06'27"	175.00	6.44
N	11°39'38"	125.00	25.44



**GOLD RIDGE SUBDIVISION UNIT NO. 3**

FOR  
**FEATHER RIVER ASSOCIATES**

BEING A PORTION OF SECTION 16,  
T. 22 N., R. 12 E., M.D.B.&M.,  
IN PLUMAS COUNTY, CALIFORNIA

PREPARED BY:  
**LARRY FITES ENGINEERING**

P.O. BOX 20308  
GRAEAGLE, CALIFORNIA 96103  
R.C.E. 13225

FEBRUARY 1992

SHEET 2 OF 2

THE BASIS OF BEARINGS FOR THIS MAP IS THE SOUTH LINE OF THE NORTHEAST QUARTER OF SECTION 16, GIVEN AS N 89°56'39" W IN BOOK 5 OF RECORD OF SURVEYS AT PAGE 47, PLUMAS COUNTY RECORDS.

CENTER OF SECTION 16 FOUND 1/2" REBAR WITH PLASTIC CAP STAMPED R.C.E. 15265 PER 5 R.S. 47.

FOUND 1/2" REBAR WITH PLASTIC CAP STAMPED R.C.E. 15265, N 36°45'25" W 0.63' FROM ITS TRUE POSITION ON THE SOUTH LINE OF THE N-E QUARTER OF SECTION 16 AS SHOWN ON 5 M 7.

EAST 1/4 CORNER OF SECTION 16 FOUND 1/2" I.P. TAGGED R.C.E. 15265 PER 5 R.S. 47.