

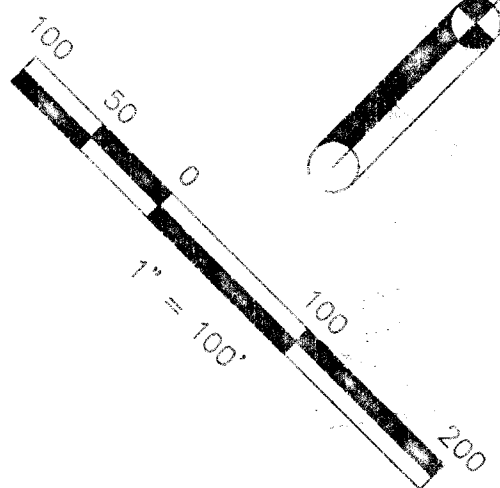


LINE	BEARING	LENGTH
L1	S53°40'51"W	24.70'
L2	S40°18'17"E	37.70'
L3	S40°18'17"E	35.68'
L4	S40°18'17"E	36.51'

CURVE	LENGTH	RADIUS	DELTA
C1	30.04	210.00	8°11'43"
C2	13.85	290.00	2°44'12"
C3	58.66	230.00	14°38'48"
C4	103.48	230.00	25°48'43"
C5	5.37	210.00	1°27'51"

LEGEND

- FOUND point as described
- SET 5/8" Rebar & Aluminum Cap LS 2843
- SET 5/8" Rebar & Plastic Cap LS 2843
- Nothing Found or Set
- (R1) RECORD per B.L.M Dependent Resurvey completed June 20, 1995
- (R2) RECORD per 6 RS 66
- DENOTES Development Setback buffer
- DENOTES a conservation easement buffer
- DENOTES a 10' P.U.E. and slope easement



GRIZZLY RANCH, UNIT 1
 a Planned Development
 FOR
 Grizzly Creek Development, L.L.C.
 A portion of the Sections 16, 17 & 21
 T. 23 N., R. 14E., M.D.M.
 Plumas County ~ California
 Scale 1" = 100' February, 2003
 Hamby Surveying Inc.
 P.O. Box 1209
 Portola, CA 96122
 (530) 832-5571