

**BASIS OF BEARING**

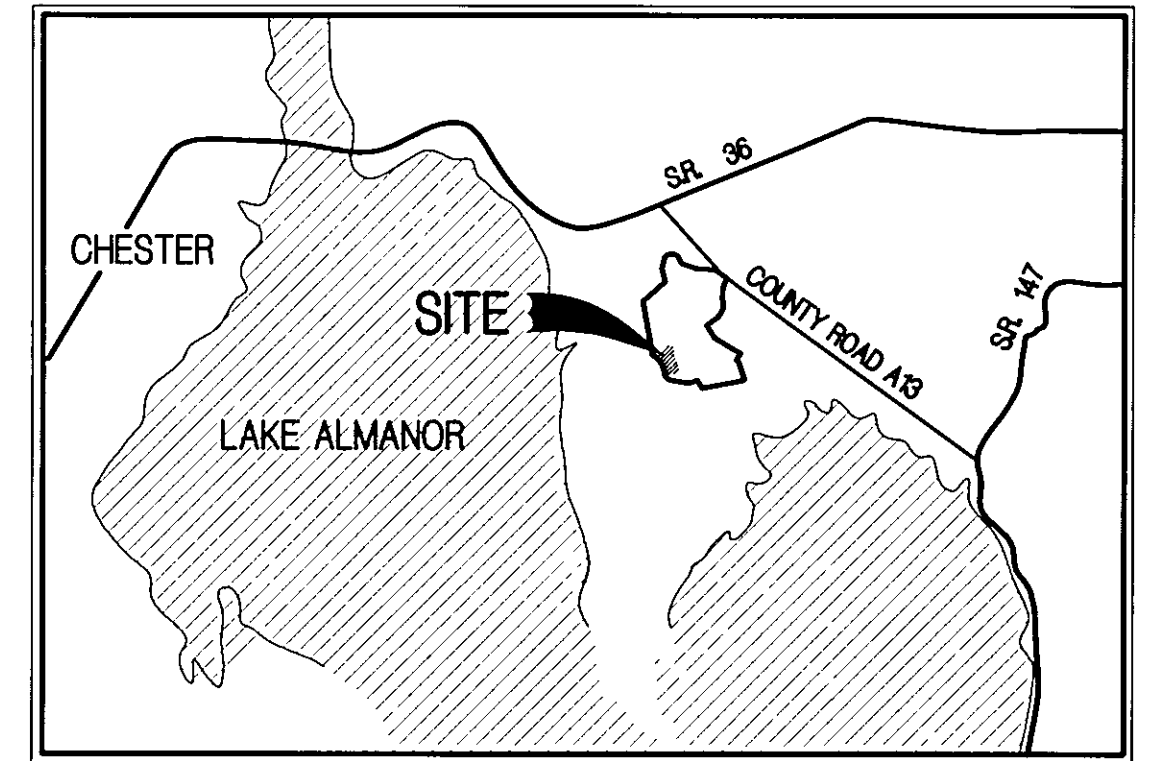
THE BASIS OF BEARING FOR THIS SURVEY IS A SOLAR OBSERVATION TAKEN AT THE INTERSECTION OF WALKER ROAD (CLIFFORD DRIVE) AND COUNTY ROAD A-13 ON AUGUST 5, 1983 BY NST ENGINEERING AND UTILIZED FOR DESCRIPTION WITHIN 434 O.R. 178.

**LEGEND**

- CALCULATED POINT, NO MONUMENT FOUND OR SET
- SET 5/8" REBAR WITH PLASTIC CAP MARKED R.C.E. 29113
- FOUND MONUMENT AS NOTED
- FOUND 5/8" REBAR & CAP MARKED R.C.E. 29113 PER (R7)
- ✕ FOUND 5/8" REBAR & CAP MARKED R.C.E. 29113 PER (R8)
- ✕ FOUND 5/8" REBAR & CAP MARKED R.C.E. 29113 PER (R5)

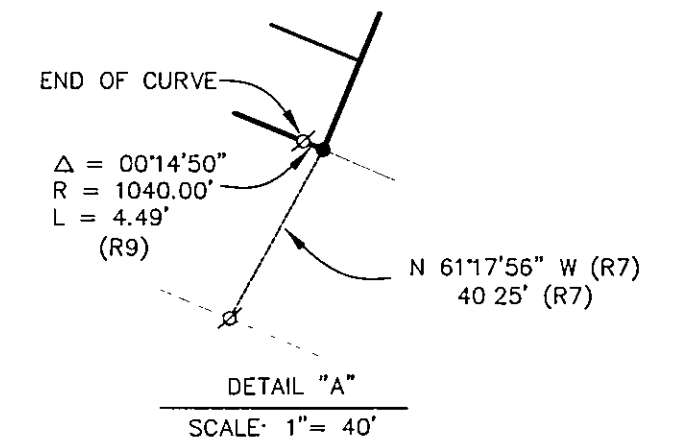
NOTE: AN ADDITIONAL INFORMATION DOCUMENT IS ON FILE WITH THE COUNTY RECORDER IN DOCUMENT 2003-14714 O.R.

SCALE 1" = 500'

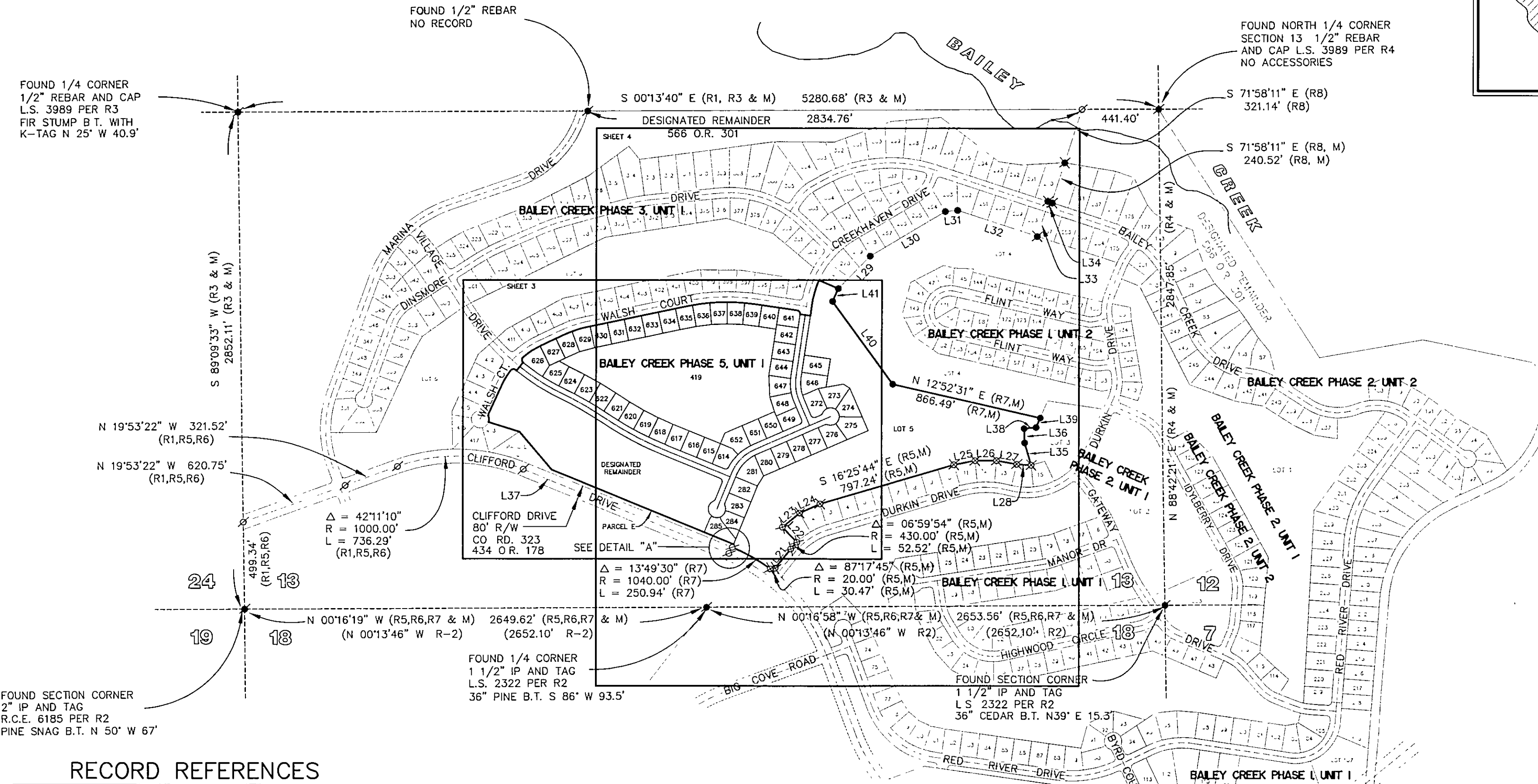


**LOCATION MAP**

NO SCALE



LINE TABLE		
LINE	BEARING	LENGTH
L21	N50°55'36"W (R5,M)	142.08' (R5,M)
L22	S46°04'18"W (R5,M)	120.00' (R5,M)
L23	S39°29'04"E (R5,M)	128.30' (R5,M)
L24	S23°58'05"E (R5,M)	128.79' (R5,M)
L25	N11°01'25"W (R5,M)	123.40' (R5,M)
L26	N00°12'47"W (R5,M)	123.40' (R5,M)
L27	S10°17'14"W (R5,M)	117.70' (R5,M)
L28	N03°41'51"E (R5,M)	82.38' (R5,M)
L29	N45°56'27"W (R7, M)	260.25' (R7, M)
L30	S30°47'09"E (R7, M)	500.00' (R7, M)
L31	S05°03'17"E (R7, M)	70.16' (R7, M)
L32	S18°01'49"W (R7, M)	480.41' (C, M)
L33	N71°58'11"W (R8, M)	210.00' (R8, M)
L34	S18°01'49"W (R8, M)	18.25' (R8, M)
L35	S73°44'44"W (R7,M)	133.57' (R7,M)
L36	S88°08'40"W (R7,M)	82.45' (R7,M)
L37	N22°17'49"E (R1,R3 & R4)	1275.65' (R1,R5,R6)
L38	N05°09'12"W (R7,M)	68.79' (R7,M)
L39	S66°39'11"E (R7,M)	59.25' (R7,M)
L40	N54°05'14"E (R7,M)	588.03' (R7,M)
L41	S65°57'34"E (R7,M)	80.00' (R7,M)



**RECORD REFERENCES**

- |   |  |
|---|--|
| R1 RECORD DATA PER DEED RECORDED IN BOOK 566 OF OFFICIAL RECORDS AT PAGE 301  | R7 RECORD DATA PER SUBDIVISION MAP ENTITLED PHASE 2, UNIT 1 OF THE BAILEY CREEK SUBDIVISION FILED IN THE OFFICE OF THE COUNTY RECORDER OF THE COUNTY OF PLUMAS, STATE OF CALIFORNIA, BOOK 9 OF MAPS, PAGES 1-8   |
| R2 RECORD DATA PER RECORD OF SURVEY RECORDED IN BOOK 3 OF SURVEYS, PAGE 56  | R8 RECORD DATA PER SUBDIVISION MAP ENTITLED PHASE 2, UNIT 2 OF THE BAILEY CREEK SUBDIVISION FILED IN THE OFFICE OF THE COUNTY RECORDER OF THE COUNTY OF PLUMAS, STATE OF CALIFORNIA, BOOK 9 OF MAPS, PAGES 27-32 |
| R3 RECORD DATA PER CORNER RECORD OF THE SOUTH 1/4 CORNER OF SECTION 13 T28N R7E   | R9 RECORD DATA PER SUBDIVISION MAP ENTITLED PHASE 3, UNIT 1 OF THE BAILEY CREEK SUBDIVISION FILED IN THE OFFICE OF THE COUNTY RECORDER OF THE COUNTY OF PLUMAS, STATE OF CALIFORNIA, BOOK 9 OF MAPS, PAGES 44-49 |
| R4 RECORD DATA PER CORNER RECORD OF THE NORTH 1/4 CORNER OF SECTION 13 T28N R7E   | M MEASURED BEARING OR DISTANCE   |
| R5 RECORD DATA PER SUBDIVISION MAP ENTITLED PHASE 1, UNIT 1 OF THE BAILEY CREEK SUBDIVISION FILED IN THE OFFICE OF THE COUNTY RECORDER OF THE COUNTY OF PLUMAS, STATE OF CALIFORNIA, BOOK 8 OF MAPS, PAGES 19-23  | C CALCULATED BEARING OR DISTANCE   |
| R6 RECORD DATA PER SUBDIVISION MAP ENTITLED PHASE 1, UNIT 2 OF THE BAILEY CREEK SUBDIVISION FILED IN THE OFFICE OF THE COUNTY RECORDER OF THE COUNTY OF PLUMAS, STATE OF CALIFORNIA, BOOK 8 OF MAPS, PAGES 99-101 |  |

**PHASE 5, UNIT 1  
BAILEY CREEK SUBDIVISION**

FOR  
**BAILEY CREEK INVESTORS**

A PORTION OF SECTION 13, TOWNSHIP 28 NORTH  
RANGE 7 EAST M.D.M., A DIVISION OF  
LOT 5 OF BK. 9 OF MAPS PGS. 1 THRU 8 AND  
PARCEL E AND DESIGNATED REMAINDER  
OF BK. 9 OF MAPS PGS. 44 THRU. 49

PLUMAS COUNTY, CALIFORNIA

**ADDITIONAL INFORMATION DOCUMENT**

AN ADDITIONAL INFORMATION DOCUMENT IS ON FILE WITH THE COUNTY RECORDS IN DOCUMENT 2003-14714 O.R.

