

Section 3

Section 9

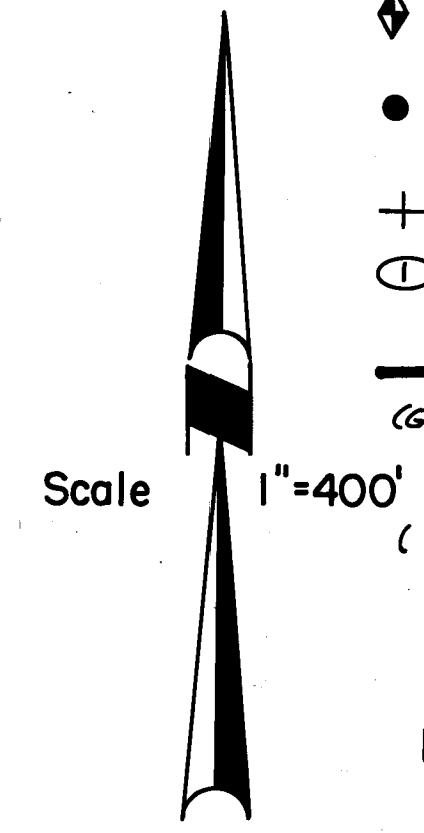
Section 11
Sheet 2 of 6 Sheets

Section 10

Section 15

NOTES:
 BASIS OF BEARINGS - SOUTH LINE OF SECTION 11
 N89°42'45"E AS PER 6-R15-B2
 DISTANCES SHOWN HEREON ARE IN FEET AND
 DECIMAL PARTS THEREOF

- ◆ DENOTES FOUND BLM OR USFS MONUMENT AS PER CORNER NOTES.
- DENOTES SET A STD. USFS MONUMENT IN A STONE MOUND SEE SHEET 516 FOR DESCRIPTION.
- + DENOTES A COMPUTED POINT NOTHING SET OR FOUND.
- Ⓚ DENOTES CORNER DESCRIPTION NUMBER SEE SHEETS 516 FOR DESCRIPTION.
- NATIONAL FOREST BOUNDARY LINE.
- (G) ~ DATA AS PER GOUT NOTES.
- () ~ DENOTES RECORD DATA AS SHOWN.



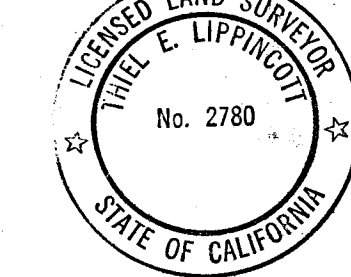
LOCATION MAP
See Sheet 2

SURVEYOR'S CERTIFICATE

This map correctly represents a survey made by me or under my direction in conformance with the requirements of the Land Surveyor's Act at the request of U.S.D.A. Forest Service during May-August, 1984.

Gary T. Lippincott
 Gary T. Lippincott LS 3634

Thiel E. Lippincott
 Thiel E. Lippincott LS 2780



COUNTY SURVEYOR'S CERTIFICATE

This map has been examined for conformance with the requirements of the Land Surveyor's Act this 22 day of October, 1984.

Lawrence J. Brock
 Lawrence Brock RCE 13528
 County Surveyor

COUNTY RECORDER'S CERTIFICATE

Filed this 23 day of October, 1984
 at 11:10 A.M. in Book 7 of Record of Surveys at pages 3-8
 at the request of the County Surveyor. IDA DIGGS County Recorder
 Fee \$15.00 File No. 3255 by *Bob Cammack* Deputy

RECORD OF SURVEY

FOR
UNITED STATES FOREST SERVICE

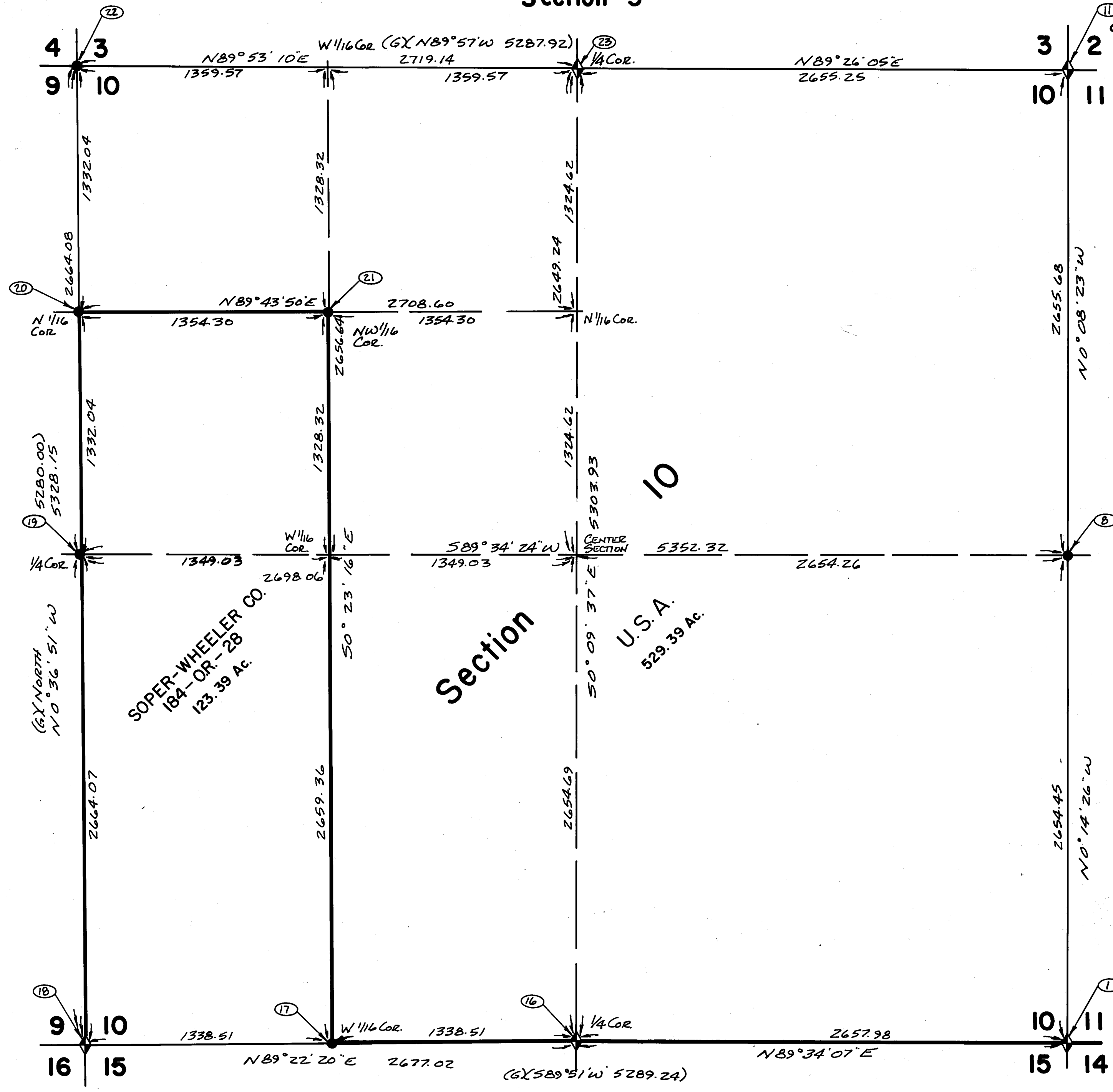
Being Sections 2, 10 and 11 - T. 24 N. - R. 8 E. - and
 Section 35 - T. 25 N. - R. 8 E. - M.D.B.
 Plumas National Forest August, 1984 Plumas Co., CA

LIPPINCOTT-GUTH ASSOCIATES

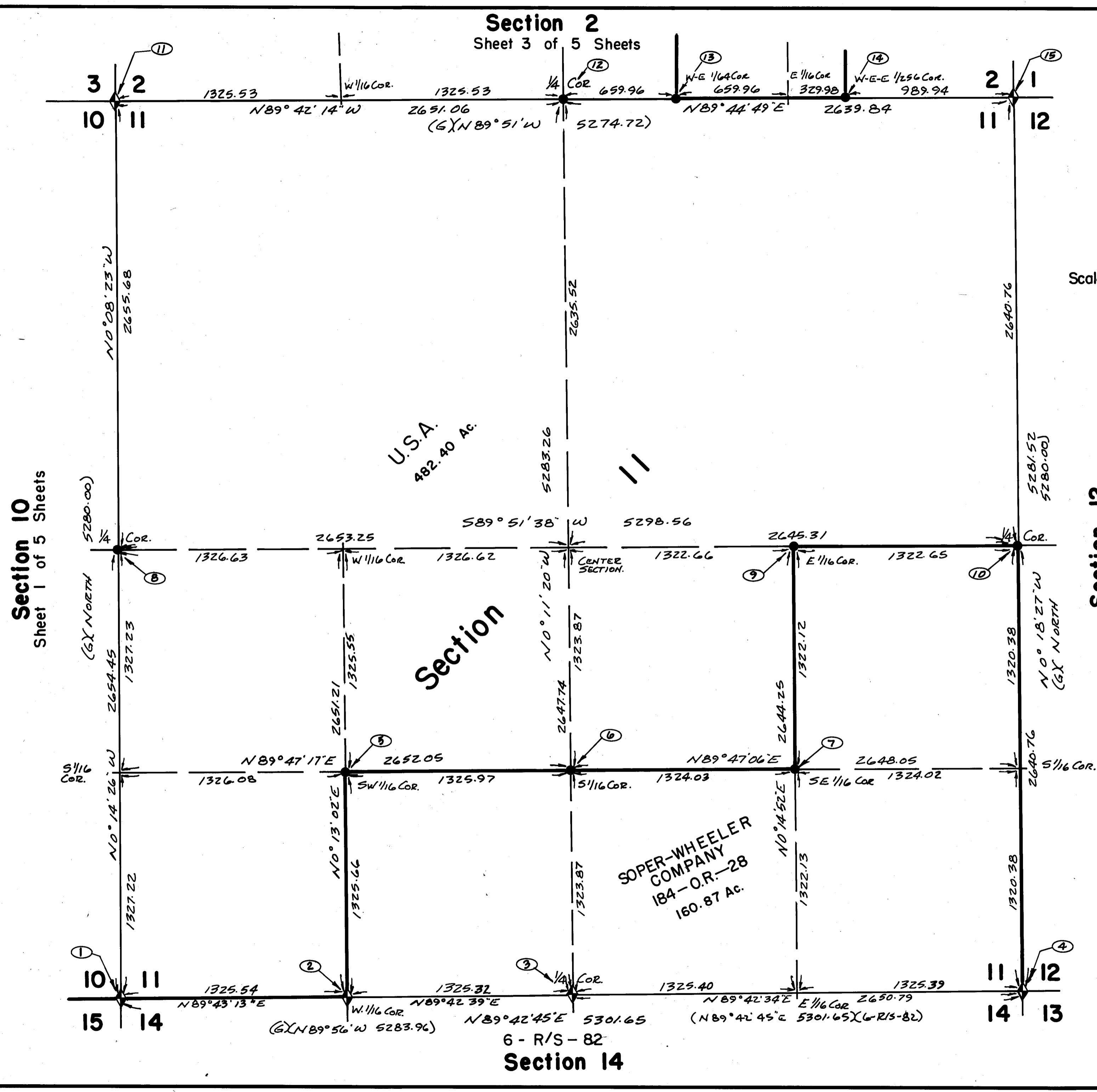
ENGINEERS SURVEYORS PLANNERS
 1007 BILLE ROAD PARADISE, CALIFORNIA 95969-0671
 (916) 877-8877 877-4300



Section 10 Sheet 1 of 6 Sheets

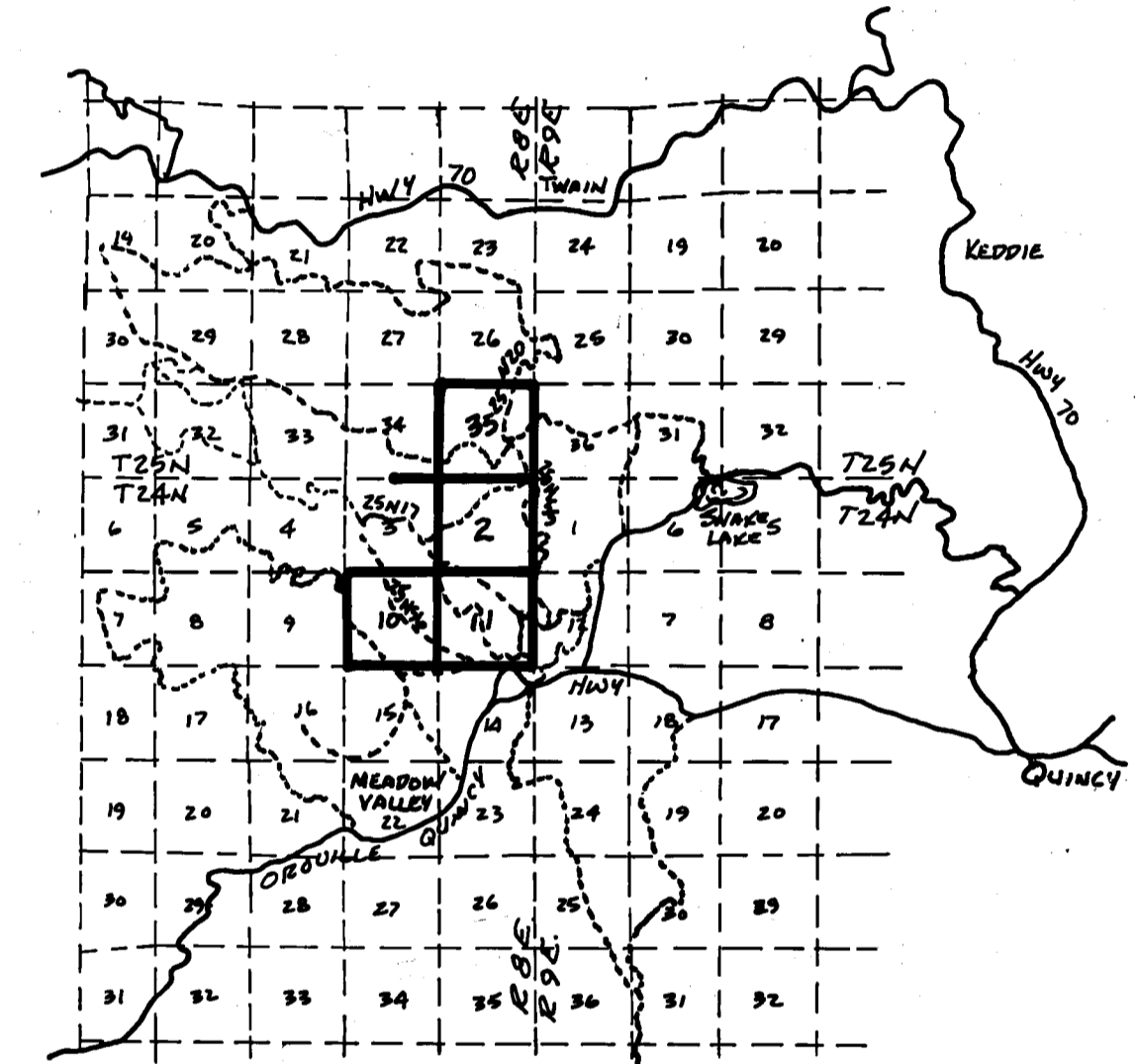
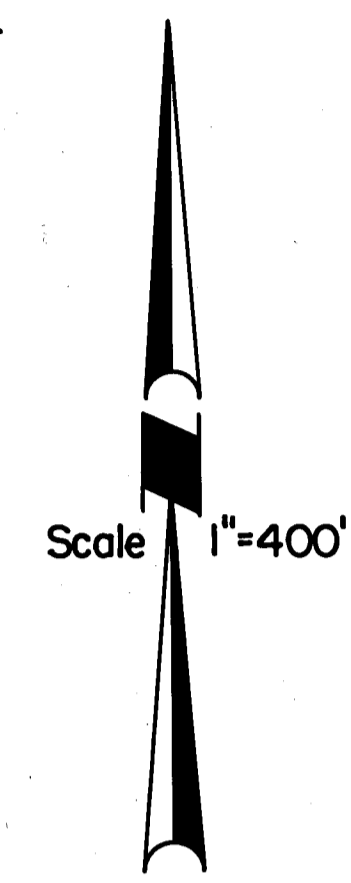


Section 2
Sheet 3 of 5 Sheets



NOTES:

- ◆ DENOTES FOUND BLM OR USFS MONUMENT AS DESCRIBED IN CORNER NOTES.
 - DENOTES SET A STD USFS MONUMENT IN A STONE MOUND SEE SHEET 516 FOR DESCRIPTION.
 - + DENOTES A COMPUTED POINT NOTHING SET OR FOUND.
 - ① DENOTES CORNER DESCRIPTION NUMBER SEE SHEET 516 FOR DESCRIPTION.
 - NATIONAL FOREST BOUNDARY LINE.
 - (G) DATA AS PER GOV'T NOTES.
 - () DENOTES RECORD DATA AS SHOWN.
- SEE SHEET 5 FOR ADDITIONAL NOTES.



RECORD OF SURVEY
FOR
UNITED STATES FOREST SERVICE

Being Sections 2, 10 and 11 - T. 24 N. - R. 8 E. and
Section 35 - T. 25 N. - R. 8 E. - M.D.B.
Plumas National Forest Plumas Co., CA
August, 1984



LIPPINCOTT-GUTH ASSOCIATES
ENGINEERS SURVEYORS PLANNERS
1007 BILLE ROAD PARADISE, CALIFORNIA 95969-0671
(916) 877-8877 877-4300

Section 35
Sheet 4 of 6 Sheets

T. 25 N.

(G) EAST 2640.00

T. 24 N.

(G) EAST 5280.00

NOTES:

BASIS OF BEARINGS - SOUTH LINE OF SECTION 11
N 89° 42' 45" E AS PER G-RIS-82.

DISTANCES SHOWN HEREON ARE IN FEET
AND DECIMAL PARTS THEREOF.

◆ DENOTES FOUND BLM. OR USFS MONUMENT
AS DESCRIBED IN CORNER DESCRIPTIONS.

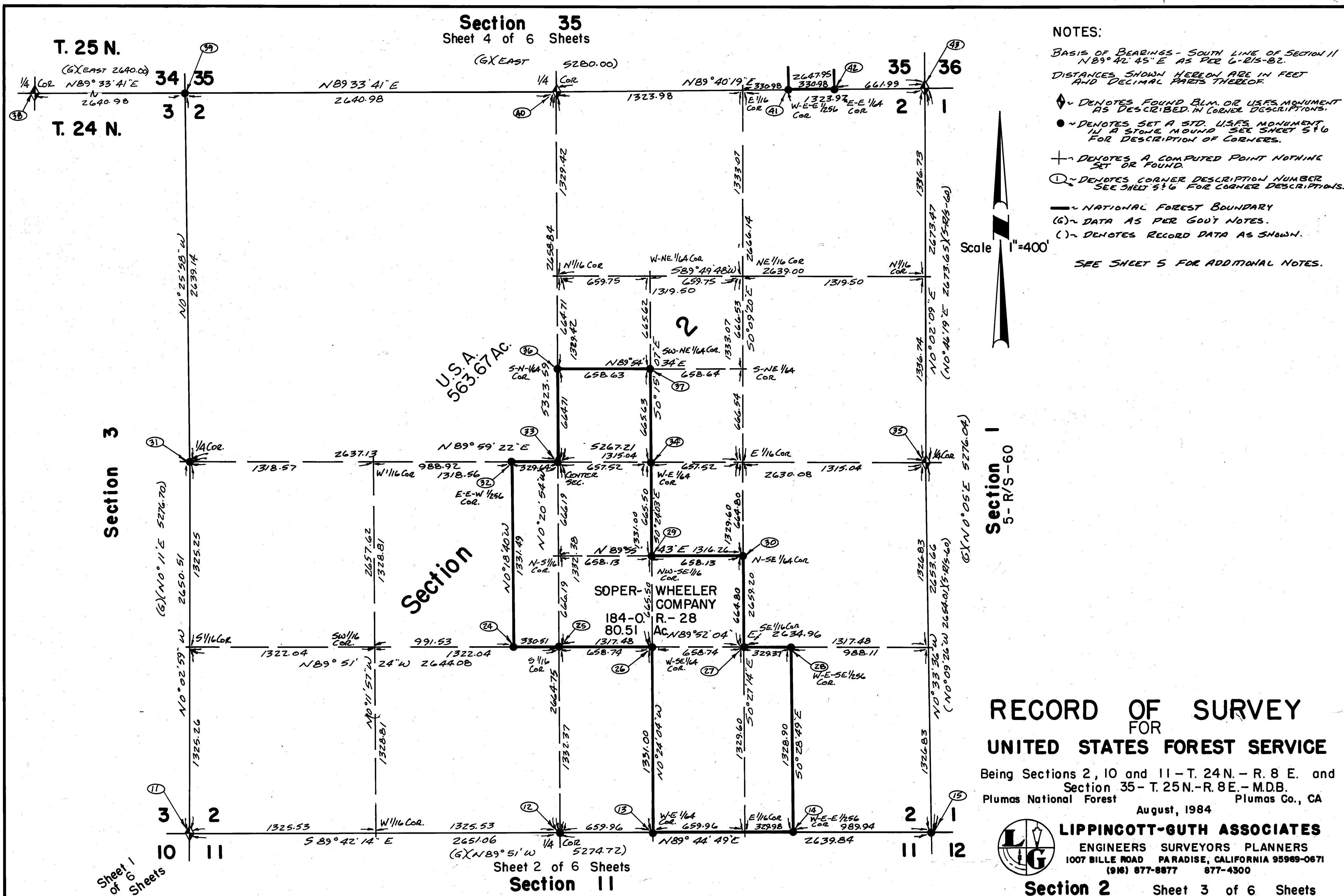
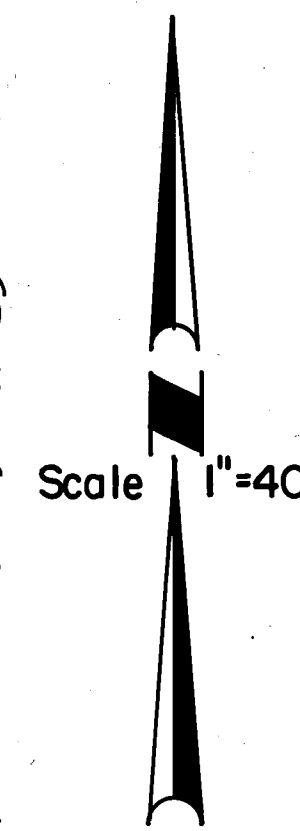
● DENOTES SET A STD. USFS MONUMENT
IN A STONE MOUND SEE SHEET 516
FOR DESCRIPTION OF CORNERS.

+ DENOTES A COMPUTED POINT NOTHING
SET OR FOUND.

① DENOTES CORNER DESCRIPTION NUMBER
SEE SHEET 516 FOR CORNER DESCRIPTIONS.

— NATIONAL FOREST BOUNDARY
(G) DATA AS PER GOV'T NOTES.
(-) DENOTES RECORD DATA AS SHOWN.

SEE SHEET 5 FOR ADDITIONAL NOTES.



Section 3

Section 1
5-R/S-60

Sheet 1 of 6 Sheets

Sheet 2 of 6 Sheets
Section 11

RECORD OF SURVEY
FOR
UNITED STATES FOREST SERVICE

Being Sections 2, 10 and 11 - T. 24 N. - R. 8 E. and
Section 35 - T. 25 N. - R. 8 E. - M.D.B.
Plumas National Forest August, 1984
Plumas Co., CA



LIPPINCOTT-GUTH ASSOCIATES
ENGINEERS SURVEYORS PLANNERS
1007 BILLE ROAD PARADISE, CALIFORNIA 95969-0671
(916) 877-8877 877-4300

Section 2 Sheet 3 of 6 Sheets

Section 26

(G) N89°48'E 5285.28

N89°27'37"W 3.07 TO WITNESS Cor.

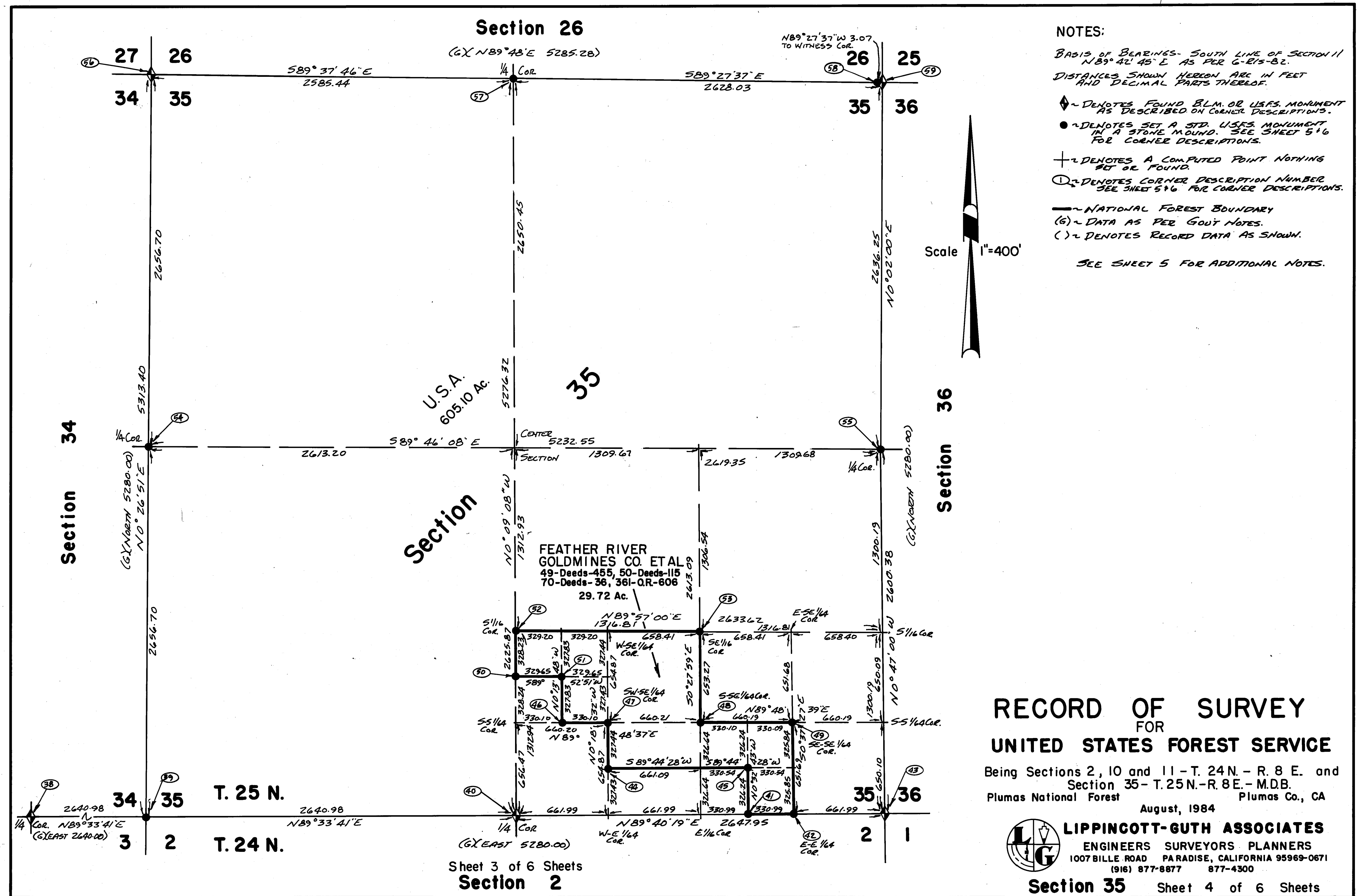
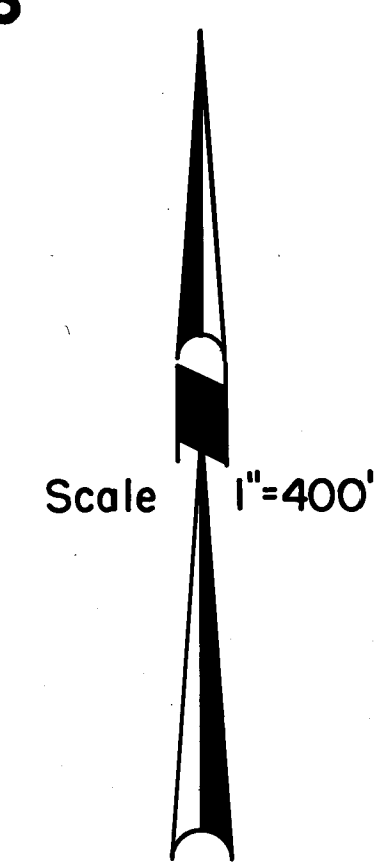
NOTES:

BASIS OF BEARINGS- SOUTH LINE OF SECTION 11 N89°42'45" E AS PER G-215-82.

DISTANCES SHOWN HEREON ARE IN FEET AND DECIMAL PARTS THEREOF.

- ◆ DENOTES FOUND B.L.M. OR U.S.F.S. MONUMENT AS DESCRIBED ON CORNER DESCRIPTIONS.
- DENOTES SET A STD. U.S.F.S. MONUMENT IN A STONE MOUND. SEE SHEET 516 FOR CORNER DESCRIPTIONS.
- + DENOTES A COMPUTED POINT NOTHING SET OR FOUND.
- ① DENOTES CORNER DESCRIPTION NUMBER SEE SHEET 516 FOR CORNER DESCRIPTIONS.
- NATIONAL FOREST BOUNDARY
- (G) DATA AS PER GOUT NOTES.
- () DENOTES RECORD DATA AS SHOWN.

SEE SHEET 5 FOR ADDITIONAL NOTES.



RECORD OF SURVEY
FOR
UNITED STATES FOREST SERVICE

Being Sections 2, 10 and 11 - T. 24 N. - R. 8 E. and
Section 35 - T. 25 N. - R. 8 E. - M.D.B.
Plumas National Forest Plumas Co., CA
August, 1984

LIPPINGOTT-GUTH ASSOCIATES
ENGINEERS SURVEYORS PLANNERS
1007 BILLE ROAD PARADISE, CALIFORNIA 95969-0671
(916) 877-8877 877-4300

Section 35 Sheet 4 of 6 Sheets

Sheet 3 of 6 Sheets
Section 2

NOTES:

ALL CORNERS SHOWN AND DENOTED AS A STD. U.S.F.S. MONUMENT ARE AS FOLLOWS:

A ALUMINUM PIPE 2 1/2" IN DIAMETER, 27 1/2" IN LENGTH, WITH A MAGNET INSTALLED IN A BREAK OFF PLASTIC BASE AND A 3" ALUMINUM CAP WHICH HAS BEEN STAMPED WITH PROPER IDENTIFICATION FOR EACH MONUMENT LOCATION ACCORDING TO MANUAL OF INSTRUCTIONS FOR THE SURVEY OF THE PUBLIC LANDS OF UNITED STATES, 1973.

EACH PIPE IS SET A MOUND OF STONE PLACED AROUND.

BEARING TREES - DIAMETER MEASURED CHEST HEIGHT, SPECIES, MAGNETIC BEARING AND DISTANCE MEASUREMENT IN FEET (DIVIDE BY 0.66 TO CONVERT TO LINKS) ARE NOTED ON CORNER DESCRIPTIONS HEREON. TREES ARE PROPERLY BLAZED AND SCRIBED ACCORDING TO MANUAL AND U.S.F.S. INSTRUCTIONS OR AS FOUND AND NOTED DIFFERENTLY. MEASUREMENTS ARE TO GALV. NAIL IN CENTER SIDE ABOVE ROOT CROWN OR TREE CENTER.

CORNERS FOUND DENOTED AS A B.L.M. OR U.S.F.S. MONUMENT ARE A ALUMINUM OR IRON PIPE 2 1/2" IN DIAMETER WITH EITHER A ALUMINUM OR BRASS CAP PROPERLY MARKED FOR CORNER AND SET WITHIN A MOUND OF STONE WITH BEARING TREES AS NOTED IN CORNER DESCRIPTIONS.

GOV'T NOTES ARE ORIGINAL GOV'T SURVEY NOTES - A.W. KEDDIE, 1870 IN SECTIONS 2, 10 AND 11, WM. MINTO, 1880 IN SECTION 35.

W.F. - White Fir Gov't BT's - Bearing trees as described in Gov't Notes.
Y.P. - Yellow Pine
D.F. - Douglas Fir
S.P. - Sugar Pine
B.O. - Black Oak

CORNER DESCRIPTIONS

- 11 Sec. Cor. 10/11 Remonumented 1970 B.L.M. Brass cap mon.
BT'S 12" White Fir with healed blaze S68°E 25.10 Found
10" Yellow Pine with healed blaze N43 3/4°W 43.60 Found
14" W.F. with healed blaze S48 1/2°W 11.60 Found
8" Y.P. " " " N50 1/2°E 17.40 Found
GOV'T BT'S
10" W.F. S67°E (39 lks) 25.74
10" W.F. S49°W (18 lks) 11.88
9" Y.P. N42°W (66 lks) 43.56
8" Y.P. N53°E (27 lks) 17.82
2 W 1/16 Cor. Sec. 11 / Sec. 14 R.L.S. 5147 as per 6-R/S-82 Std. USFS
BT'S 17" Y.P. S72°E 11.60 Found Al. Cap Mon.
17" Y.P. N53 1/2°W 13.80 Found
3 1/4 Cor. Sec. 11 / Sec. 14 R.L.S. 5147 as per 6-R/S-82 Std. USFS Mon.
Reference monument to North found but not tied in Al. Cap during this survey
4 Sec. Cor. 11/12 as per 6-R/S-82 Std. U.S.F.S. Mon. Al. Cap
BT'S 6" Cedar N17°E 19.05 Found
6" Cedar S19 1/2°E 14.10 Found
7" Y.P. with healed blaze S35 1/4°W 33.65 Found
7" Y.P. " " " N63 3/4°W 33.35 Found
Gov't BT'S
5" Cedar N19°E (29 lks) 19.14
7" Y.P. N62°W (51 lks) 33.66
6" Cedar S19°E (21 lks) 13.86
7" Y.P. S36°W (51 lks) 33.66
5 SW 1/16 Cor. Sec. 11 LS 3634
BT'S 12" S.P. N3°E 24.75
12" S.P. N66°E 25.45
6 C-S-C 1/16 Cor. Sec. 11 LS 3634
BT'S 7" D.F. N10°W 38.80
8" B.O. N88°E 22.49

- 7 SE 1/16 Cor. Sec. 11 LS 3634
BT'S 7" W.F. N87°W 5.28
8" W.F. N13°W 7.64
9 C-E 1/16-C Cor. Sec. 11 LS 3634
BT'S 10" D.F. S18°W 8.40
9" D.F. N81°W 12.11
8 1/4 Cor. Sec. 10 / Sec. 11 LS 3634
Reset corner from original BT's
BT'S 12" fallen B.O. with blaze Found N49 1/4°E 17.2
30" fallen Pine no visible blaze N69 3/4°W 51.5 Found
6" White Oak S71°E 22.75
6 1/2" Y.P. S78°E 33.36
Gov't BT'S
8" B.O. N47 1/2°E (26 lks) 17.16
35" Pitch Pine N69°W(78 lks) 51.48
Corner position fits head of ravine to South 198'
10 1/4 Cor. Sec. 11 / Sec. 12 LS3634 Prorated Cor.
Found no evidence of original corner or BT's
BT'S 8" Y.P. N55°W 8.18
7" D.F. S26°E 22.61
Call to small ravine (2.70 chs) 178.2 to South fits corner position
Found 1 1/2" x 1/4" iron bar marked 1/4 N44°36'E 6.14 not accepted as corner due to lack of evidence or corner history

- 11 Sec. Cor. 3/2 10/11 Remonumented in 1970 B.L.M. Brass Cap Mon.
BT'S 18" B.O. with healed blaze Found S8 1/4°W 20.6
27" Cedar with healed blaze Found S67 1/2°E 11.9
8" B.O. with healed blaze Found N30 1/4°W 19.9
60" S.P. with healed blaze Found N16 1/2°E 48.4
Gov't BT'S 25" Cedar S67 1/2°E (17 lks) 11.2
53" S.P. N16 3/4°E (71 lks) 46.86
18" B.O. S9°W (32 lks) 21.12
8" B.O. N29°W (30 lks) 19.80
12 1/4 Cor. Sec. 2 / Sec. 11 LS 3634
Found rock mound with scribed post on steep to East appears to have slipped downhill S87°34'E 5.14
BT'S 15" D.F. N4°E 13.68
11" W.F. S65°E 18.5
Fd. B.O. stump hole - tree is down and decayed S24 1/2°E 20.3
Fd. B.O. stump hole - tree is down and decayed N9 1/2°W 10.9
Gov't BT'S 4" B.O. S21°E (32 lks) 21.12
6" B.O. N2 1/4°W (18 lks) 11.88
13 W-E 1/64 Cor. Sec. 2 / Sec. 11 LS 3634
BT'S 7" Cedar S29°E 6.0
9" Cedar S78°W 34.5
14 W-E-E 1/256 Cor. Sec. 2 / Sec. 11 LS3634
BT'S 10" Y.P. S2°E 3.78
14" Red Fir N45°E 19.47
15 Sec. Cor. 2/11 LS3634 Replaced Found 1/2" Rebar T1112 RCE 26870 As Per 5-R/S-60
BT'S 30" burnt Fir stump N53 1/4°W 81.5 Found
60" S.P. stump S36°E 85.5 Found
8" S.P. N50°W 7.5
9" Cedar N11°E 19.1
7" B.O. S30°W 17.4
15" Y.P. S45°E 9.0
Gov't BT'S
22" Spruce N40 3/4°W (144 lks) 95.04
22" Cedar S43°W (102 lks) 67.32
57" S.P. S32°E (127 lks) 83.82
20" Pitch Pine N78 1/2°E (74 lks) 48.84
16 1/4 Cor. Sec. 10 / Sec. 15 B.L.M. Brass Cap Mon. Remonumented 1970
BT'S 36" Y.P. with partly open blaze S54 1/2°E 11.4 Found
26" Y.P. with healed blaze S79 3/4°W 33.9 Found
34" Y.P. with healed blaze N50°W 28.4 Found
Gov't BT'S
32" Y.P. S51 1/4°E (16 lks) 10.56
30" Y.P. N47°W (42 lks) 27.72
24" Y.P. S83°W (51 lks) 33.66
17 W 1/16 Cor. Sec. 10 / Sec. 15 LS 3634
BT'S 8" Y.P. N33°W 13.82
7" D.F. S62°W 19.70
18 Sec. Cor. 9/10 16/15 Remonumented in 1970 B.L.M. Brass Cap Mon.
BT'S 15" Cedar with partly open blaze S79 1/4°E 8.9 Found
19" Y.P. S38 3/4°E 5.1 Found
8" Cedar S67 1/4°W 19.5 Found
30" Y.P. with healed blaze N49 1/2°W 13.0 Found
Gov't BT'S
26" Y.P. N32°E (106 lks) 69.96
16" Y.P. S35°E (7 lks) 4.62
28" Y.P. N47°W (19 lks) 12.54
13" Cedar S76°E (14 lks) 9.24
7" Cedar S70°W (30 lks) 19.80

- 19 Prorated Cor.
1/4 Cor. Sec. 9 / Sec. 10 LS 3634
No evidence of original corner due to mining and logging activities in area. Corner position fits tie to top of ridge and ditch to North Gov't (8.75 chs.) 577.50 measured 580.6
BT'S 11" Cedar N46°W 23.08
6" Cedar S17°E 4.35
Burton Creek North 44.5
20 N 1/16 Cor. Sec. 9 / Sec. 10 LS3634
BT'S 6" W.F. N52°E 4.03
6" W.F. N52°W 14.06
21 NW 1/16 Cor. Sec. 10 LS 3634
BT'S 7" D.F. N4°E 5.40
5" Cedar S52°E 11.60
22 Sec. Cor. 4/3 9/10 LS 3634
Found a mound of stone - replaced
BT'S 14" W.F. N51°W 21.2
28" Cedar S49 1/2°E 22.9
6" S.P. N62°E 24.34
5" Y.P. S40°W 52.34
Gov't BT'S
6" Fir S37 1/2°E (25 lks) 16.50
10" Fir N46°W (29 lks) 19.14
23 1/4 Cor. Sec. 3 / Sec. 10 B.L.M. Brass Cap Mon. Remonumented in 1970
BT'S 16" W.F. with healed blaze Found N8 1/4°E 3.2
16" Cedar S54 1/4°W 2.2 Found
Gov't BT'S
13" Fir N15°E (4 lks) 2.64
13" Cedar S53°W (4 lks) 2.64
24 C-E-E-SW 1/256 Cor. Sec. 2 LS3634 Sec. 2
BT'S 8" B.O. S46°E 31.74
9" D.F. S46°W 2.36

- 25 C-S-C 1/16 Cor. Sec. 2 LS 3634
BT'S 11" D.F. S38°W 3.84
10" D.F. N17°W 3.15
26 C-W-SE 1/64 Cor. Sec. 2 LS 3634
BT'S 6 1/2" B.O. S83°E 28.70
7 1/2" N31°W 17.75
27 SE 1/16 Cor. Sec. 2 LS 2780
BT'S 10" W.F. S82 1/2°E 21.68
10" B.O. N33 1/4°E 11.00
28 C-W-E-SE 1/256 Cor. Sec. 2 LS 2780
BT'S 11" W.F. S73 1/2°E 8.00
6" Cedar N46°E 16.05
29 NW-SE 1/64 Cor. Sec. 2 LS 2780
BT'S 14" B.O. N54 1/4°E 4.22
12" W.F. N7 1/4°W 24.30
30 C-N-SE 1/64 Cor. Sec. 2 LS 2780
BT'S 10" B.O. S34 1/2°E 34.15
10" S.P. N11 1/4°E 14.00
31 1/4 Cor. Sec. 3 / Sec. 2 LS 2780
Found mound of stone with wood remains in center - replaced with std. mon.
BT'S 18" Pine stump S85°E 22.8 Found
18" Y.P. with opened blaze Found S61°W 42.9
12" Cedar N10°E 17.76
15" Y.P. S44°W 48.10
Gov't BT'S
7" Pitch Pine S62°W (64 lks) 42.24
10" Pitch Pine S85 1/4°E (34 lks) 22.44
32 C-E-E-W-C 1/256 Cor. Sec. 2 LS3634
BT'S 10" D.F. S53°W 7.83
6" D.F. N44°W 9.47
33 C 1/4 Cor. Sec. 2 LS 3634
BT'S 7" B.O. N62°E 7.45
10" Cedar S76°W 10.92

CORNER DESCRIPTION CONTINUES ON SHEET 6

RECORD OF SURVEY FOR UNITED STATES FOREST SERVICE

Being Sections 2, 10 and 11 - T. 24 N. - R. 8 E. and Section 35 - T. 25 N. - R. 8 E. - M.D.B. Plumas National Forest Plumas Co., CA

August, 1984



LIPPINCOTT-GUTH ASSOCIATES ENGINEERS SURVEYORS PLANNERS 1007 BILLE ROAD PARADISE, CALIFORNIA 95969-0671 (916) 877-8877 877-4300

Sheet 5 of 6 Sheets

CORNER DESCRIPTIONS

- 34 C-W-E-C 1/64 Cor. Section 2 LS 2780
BT's 12" B.O. S 42 $\frac{1}{2}$ ° E 18.60
11" W.F. N 28° E 45.00
- 35 1/4 Cor. Sec. 2 / Sec. 1 Remonumented 1970 B.L.M. Brass Cap Mon.
BT's 11" D.F. with healed blaze N60 $\frac{1}{2}$ °E 19.3 Found
5" D.F. " " " S89 $\frac{1}{2}$ °W 2.9 Found
Gov't BT's
10" D.F. N 64° E (29 lks) 19.14
4" D.F. N 88 W (5 lks) 3.30
- 36 C-S-N-C 1/64 Cor. Sec. 2 LS 3634
BT's 6" B.O. S 30° W 4.50
12" D.F. S 63° E 4.58
- 37 SW-NE 1/16 Cor. Sec. 2 LS 2780
BT's 11" W.F. N73°E 7.4
8" Cedar N19°W 26.1
- 38 1/4 Cor. Sec. 34 / Sec. 3 LS 2780
Found rotted Oak post in mound of stone
at base of steep slope- flat to East- Fits Gov't notes
Remonumented with std. monument
BT's 26" S.P. with healed blaze S 36° E 33.0 Found
40" S.P. stump N 57° W 27.7 Found
10" W.F. S 5° W 17.83
10" W.F. N 78 E 10.75
Gov't BT's
7" S.P. S 32° E (50 lks) 33.00
45" S.P. N 58° W (42 lks) 27.72
- 39 Sec. Cor. $\frac{34}{3}$ | $\frac{35}{2}$ LS 2780 Prorated corner
No evidence of original corner
BT's 7" D.F. S 20° E 20.94
6" Cedar S 32° W 14.95
9" D.F. N 59° W 14.42
7" D.F. N 12° E 17.64
- 40 1/4 Cor. Sec. 35 / Sec. 2 Remonumented in 1970 B.L.M. Brass
BT's 9" S.P. N 21° E 16.0 Found Cap Mon.
8" S.P. with healed blazed S 28° W 22.5 Found
Gov't BT's
9" S.P. N 24° E (24 lks) 15.84
8" S.P. S 30° W (34 lks) 22.44
- 41 W-E-E 1/256 Cor. Sec. 35/Sec. 2 LS 2780
BT's 6" Cedar S 24° W 9.30
11" D.F. West 9.35
- 42 E-E 1/64 Cor. Sec. 35/Sec. 2 LS 2780
BT's 7" B.O. S 4° E 13.88
7" Cedar N 70° E 31.99
- 43 Sec. Cor. $\frac{35}{2}$ | $\frac{36}{1}$ Remonumented in 1970 B.L.M. Brass Cap Mon.
BT's 10" D.F. with healed blaze N 73° W 27.6 Found
6" B.O. " " " N 56° E 4.0 Found
7" Cedar S 53 $\frac{1}{2}$ ° E 47.8 Found
24" Y.P. stump S 4 $\frac{1}{2}$ ° W 13.9 Found
5" Cedar S 38 $\frac{1}{2}$ ° W 11.2 Found
Gov't BT's
6" B.O. N 57° E (6 lks) 3.96
7" Cedar S 51° E (72 lks) 47.52
6" Cedar S 43° W (17 lks) 11.22
8" D.F. N 70° W (43 lks) 28.38
- 44 C-S-SW-SE 1/256 Cor. Sec. 35 LS 2780
BT's 7" D.F. S 50° W 9.65
7" D.F. N 66° W 15.30
- 45 SW-SE-SE 1/256 Cor. Sec. 35 LS 2780
BT's 6" D.F. S 30° W 21.33
8" Cedar S 76° W 8.93
- 46 C-W-SW-SE 1/256 Sec. 35 LS 2780
BT's 7" S.P. S 27° W 5.6
8" Y.P. N 87° W 30.35
- 47 SW-SE 1/64 Cor. Sec. 35 LS 2780
BT's 6" Cedar S 20° W 16.18
7" Cedar S 86° W 33.90
- 48 C-S-SE 1/64 Cor. Sec. 35 LS 2780
BT's 5" W.F. N 69° E 25.50
6" B.O. N 24° E 16.48
- 49 SE-SE 1/64 Cor. Sec. 35 LS 2780
BT's 6" D.F. S 41° E 5.24
10" D.F. N 38° W 15.30
- 50 C-N-S-S-C 1/256 Cor. Sec. 35 LS 2780
BT's 6" Cedar S 31° E 15.10
6" Cedar S 42° W 12.49
- 51 NW-SW-SE 1/256 Cor. Sec. 35 LS 2780
BT's 7" Y.P. S 76° W 20.12
8" D.F. S 15° W 29.20
- 52 C-S-C 1/16 Cor. Sec. 35 LS 2780
BT's 7" Cedar N 46° W 18.20
8" Cedar N 66° E 6.55
- 53 SE 1/16 Cor. Sec. 35 LS 2780
BT's 10" W.F. N 50° W 18.46
16" D.F. S 85° E 17.25
- 54 1/4 Cor. Sec. 34 / Sec. 35 LS 2780 Prorated corner.
Found no evidence of original corner.
BT's 8" Fir S 8° E 37.2
10" Fir S 45° W 44.5
- 55 1/4 Cor. Sec. 35 / Sec. 36 LS 2780
Found 12" x 8" x 5" Stone loose in mound of stone
Replaced with std. monument.
BT's 30" S.P. stump with portion of blaze N 74° W 11.2 Found
11" D.F. S 54° E 20.36
7" D.F. S 14° W 19.14
Gov't BT's
12" S.P. N 73 $\frac{1}{2}$ ° W (17 lks) 11.22
6" S.P. S 81 $\frac{1}{4}$ ° E (8 lks) 5.28
Gov't cor. 12" x 8" x 5" granite stone
- 56 Sec. Cor. $\frac{27}{34}$ | $\frac{26}{35}$ LS 2843 Set in 1981 U.S.F.S. Al. cap mon.
BT's 36" Cedar N 80 $\frac{1}{2}$ ° E 33.40 Found
6" Maple stump S 29° E 39.4 Found
12" Fir S 27° W 50.3 Found
8" Fir N 74° W 17.8 Found
6" Maple N 49 $\frac{1}{2}$ ° W 22.7 Found
Gov't BT's
22" Cedar N 81° E (51 lks) 33.66
6" B.O. S 27° E (57 lks) 37.62
6" S.P. S 51 $\frac{1}{2}$ ° W (43 lks) 28.38
4" B.O. N 56° W (34 lks) 22.44
- 57 1/4 Cor. Sec. 26 / Sec. 35 LS 2780
Found 20" x 14" x 3" stone in mound of stone.
Replaced with std. monument
BT's 26" Fir stump S 34° W 9.1 Found
20" Fir N 45 $\frac{1}{2}$ ° W 40.9 Found
6" Live Oak S 63° E 21.00
Gov't BT's
12" Red Fir N 35 $\frac{1}{2}$ ° W (63 lks) 41.58
42" Red Fir S 56 $\frac{1}{2}$ ° W (15 lks) 9.90
- 58 Witness Corner LS 2780
BT's 6" D.F. N 77° W 40.20
8" Cedar S 52° W 52.55
- 59 Sec. Cor. $\frac{26}{35}$ | $\frac{25}{36}$
Found blazed 16" Fir with stones around base. (Gov't 6" Balsam Fir)
Witness corner bears N 89° 27' 37" W 3.07
BT's 18" S.P. S 37 $\frac{1}{2}$ ° E 18.1 Found
38" Fir N 42° E 12.1 Found
Gov't BT's
12" Fir N 39 $\frac{1}{2}$ ° E (18 lks) 11.88
9" Fir S 31 $\frac{1}{2}$ ° E (27 lks) 17.82
36" Cedar S 84 $\frac{1}{2}$ ° W (21 lks) 13.82
15" Cedar N 82 $\frac{1}{2}$ ° W (100 lks) 66.00

RECORD OF SURVEY

FOR

UNITED STATES FOREST SERVICE

Being Sections 2, 10 and 11 - T. 24 N. - R. 8 E. and
Section 35 - T. 25 N. - R. 8 E. - M.D.B.
Plumas National Forest Plumas Co., CA

August, 1984



LIPPINCOTT-GUTH ASSOCIATES

ENGINEERS SURVEYORS PLANNERS
1007 BILLE ROAD PARADISE, CALIFORNIA 95969-0671
(916) 877-8877 877-4300

Sheet 6 of 6 Sheets