

SURVEYOR'S STATEMENT

This map correctly represents a survey made by me or under my direction in conformance with the requirements of the Land Surveyors Act at the request of Lois Blanchard in December, 1989.

Clifford R. Brown
Clifford R. Brown RCE 22836

COUNTY SURVEYOR'S STATEMENT

This map has been examined in accordance with Section 8766 of the Land Surveyors Act this 7th day of January, 1991.

Lawrence J. Brock
Lawrence J. Brock RCE 13528

COUNTY RECORDER'S STATEMENT

Filed this 7th day of January, 1991 at 9:30 A.M. in Book 2 of RECORD OF SURVEYS at page 138 at the request of the County Engineer.

Judith Wells
County Recorder

Fee \$5.00
File no. 104

by *Bob Carmack*
Deputy

RECORD OF SURVEY

Lois D. Blanchard R
11721 NE 80 St., C-1
Kirkland, WA 98033-18127

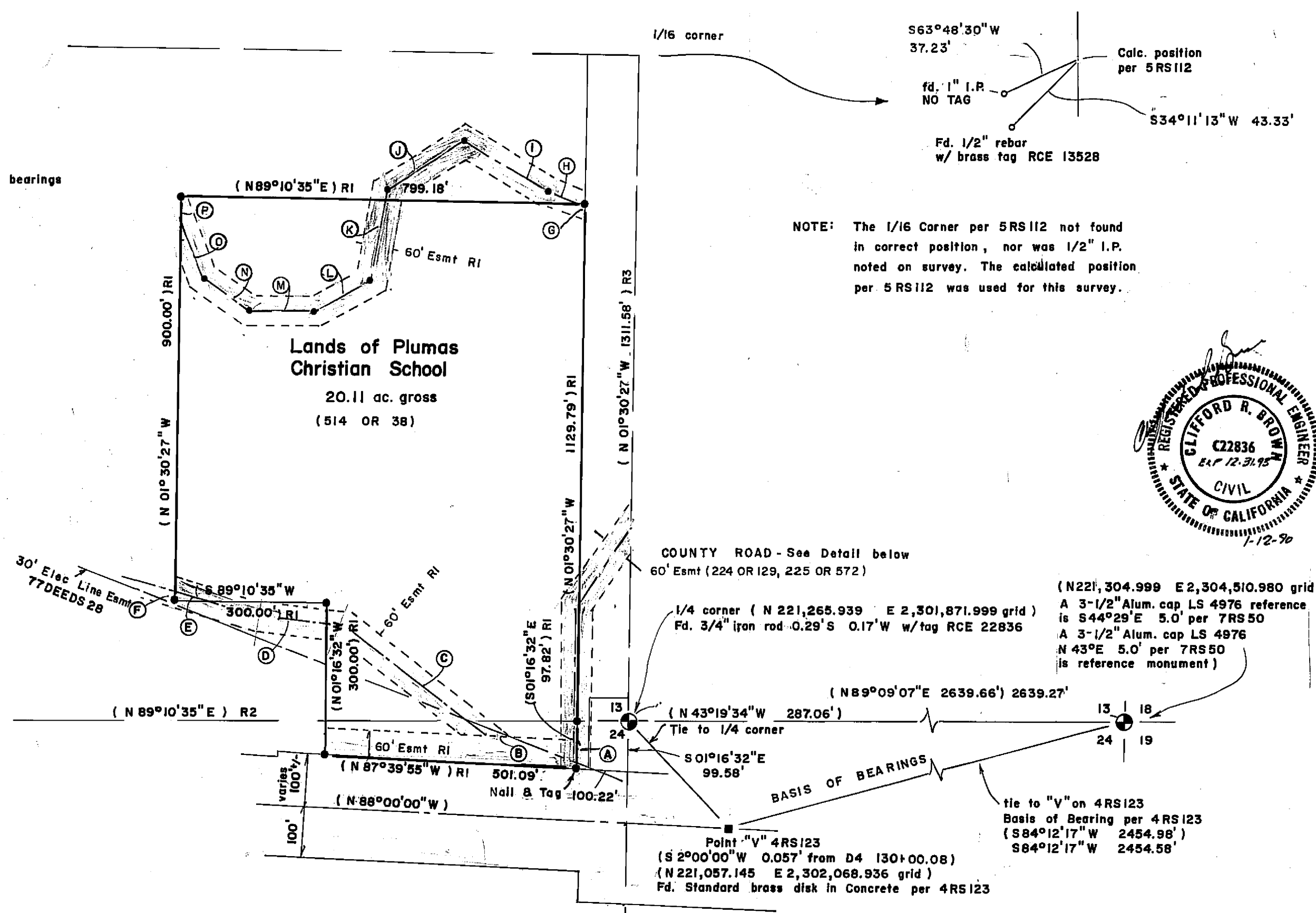
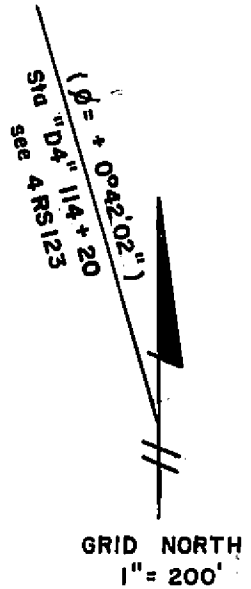
Within Section 13, 24, T24N, R9E, MDR&M

Engineer: *Clifford R. Brown* Engineering & Survey
2335 S Ponderosa
Quincy, CA 95971
PHONE: 916-939-2833

Dec. 1989

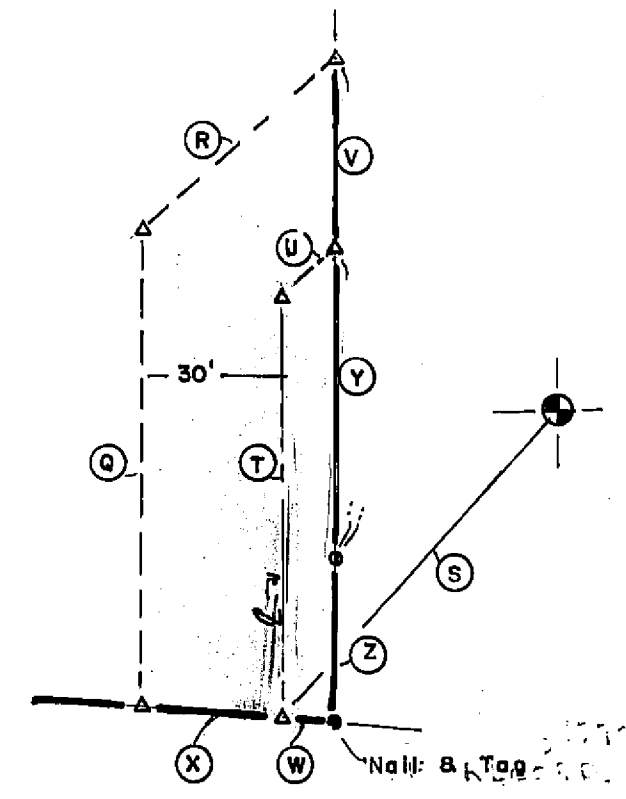
Sheet 1 of 1

- LEGEND**
- Set 1/2" rebar RCE 22836 or as noted
 - ⊙ Section corner as noted
 - HWY Monument per 4 RS 123
 - () Record per 4 RS 123
 - () R1 Record per deed 514 OR 38
 - () R2 Record per 5 RS 46
 - () R3 Record per 6 RS 47 rotated 0°0'32" ccw to match bearings
 - () R4 Record per 9 PM 116
- NOTE: GRID Distances on 4RS123 converted to ground distances on this map. To obtain grid distance, divide by 1.000150
- △ Calc. Point



ROAD EASEMENT CENTERLINE DATA (per RI except as noted)

COURSE	BEARING	DISTANCE
A	N 01°16'32"W	60.12'
B	N 87°39'55"W	187.86'
C	N 53°36'45"W	355.34'
D	N 83°22'57"W	165.14'
E	N 74°48'21"W	178.02'
F	N 01°30'27"W	27.45'
G	S 01°30'27"E	9.74'
H	N 71°25'12"W	77.73'
I	N 57°54'57"W	194.28'
J	S 56°06'40"W	181.49' (182.49' per RI)
K	S 09°51'50"W	182.14'
L	S 60°48'20"W	126.60'
M	N 87°55'15"W	137.17' (127.17')
N	N 53°38'00"W	136.21' (126.21')
O	N 14°00'50"W	85.82'
P	N 01°30'27"W	43.71'
Q	N 01°30'27"W	335.15'
R	N 32°27'03"E	63.47'
S	S 47°13'45"E	140.29' (S 46°55'15"W)
T	N 01°30'27"W	328.00' (N 01°29'57"W)
U	N 32°27'03"E	9.76' (N 33°27'33"E)
V	N 01°30'27"W	292.31'
W	N 87°39'55"W	5.07'
X	N 87°39'55"W	30.07'
Y	N 01°30'27"W	238.61'
Z	S 01°16'32"E	97.82'



COUNTY ROAD ESMT (224 OR 129) No Scale