

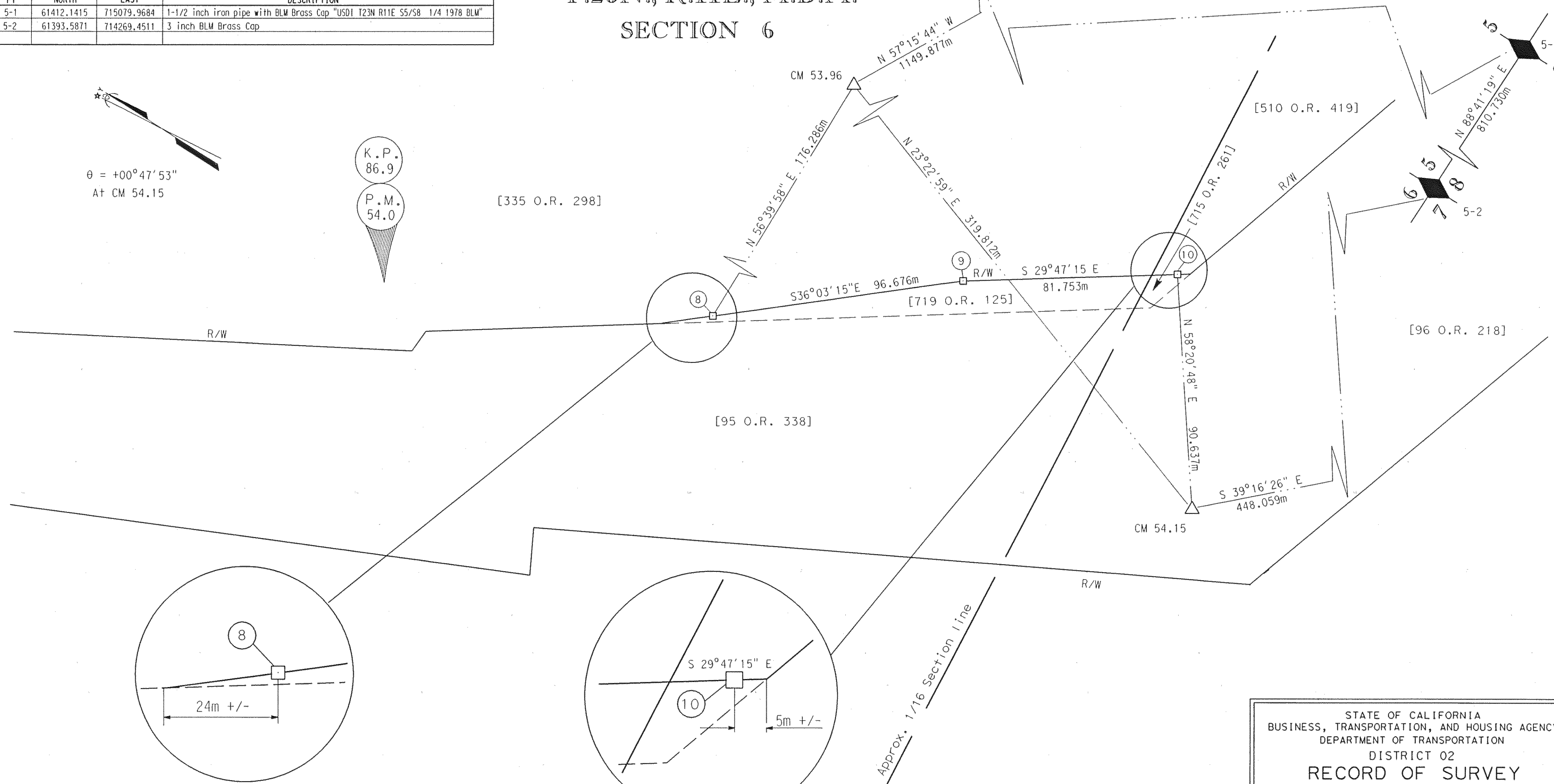
MONUMENTS SET			
COORDINATES		DESCRIPTION	
No.	NORTH	EAST	DESCRIPTION
8	61937.116	713965.459	3/4 inch Rebar with 1 1/2 inch aluminum cap stamped "CALTRANS"
9	61858.958	714022.358	3/4 inch Rebar with 1 1/2 inch aluminum cap stamped "CALTRANS"
10	61788.007	714062.971	3/4 inch Rebar with 1 1/2 inch aluminum cap stamped "CALTRANS"

CONTROL MONUMENTS			
COORDINATES		DESCRIPTION	
PT	NORTH	EAST	DESCRIPTION
CM 53.96	62033.988	714112.743	3/4 inch rebar with 1-1/2 inch aluminum cap stamp "CALTRANS CM53.96"
CM 54.15	61740.442	713985.817	3/4 inch rebar with 1-1/2 inch aluminum cap stamp "CALTRANS CM54.15"
5-1	61412.1415	715079.9684	1-1/2 inch iron pipe with BLM Brass Cap "USD1 T23N R11E S5/S8 1/4 1978 BLM"
5-2	61393.5871	714269.4511	3 inch BLM Brass Cap

LEGEND	
□ SET 3/4 REBAR W/STD. CALTRANS ALUMINUM CAP STAMPED "CALTRANS R/W"	◆ U.S.P.L.S. CORNER FOUND AS NOTED
● MONUMENT FOUND AS NOTED	△ CALTRANS CONTROL LINE MONUMENT
[] RECORD DOCUMENT	5-X CALTRANS "CADASTRAL CARD" NO.

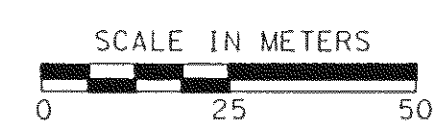
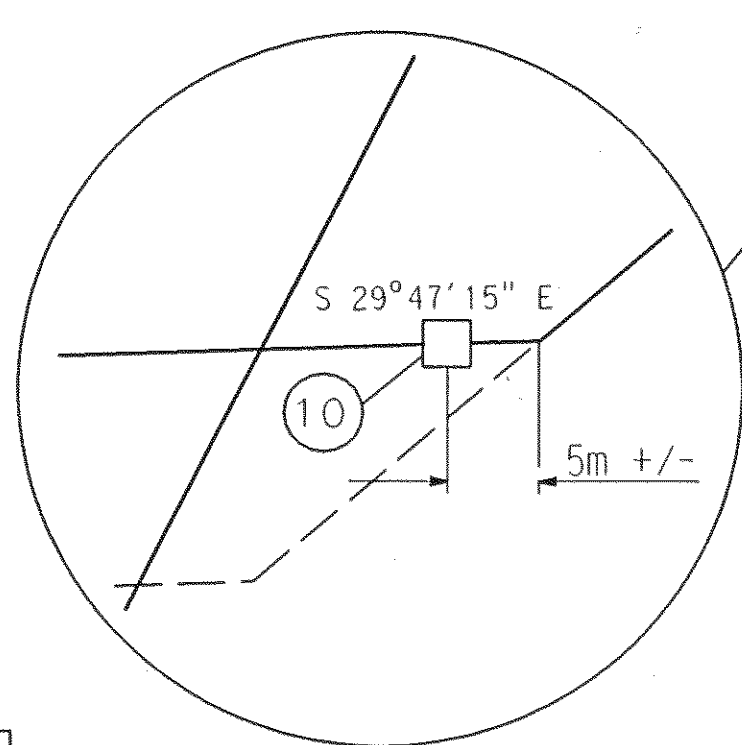
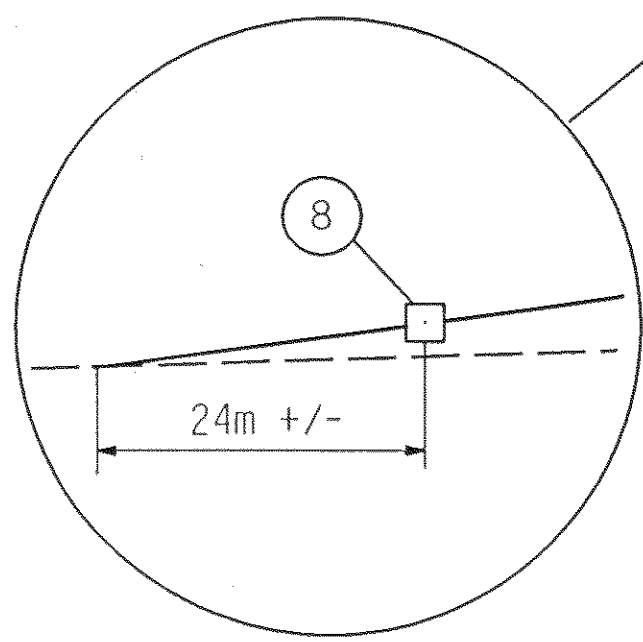
FOUND MONUMENTS			
COORDINATES		DESCRIPTION	
PT	NORTH	EAST	DESCRIPTION
5-1	61412.1415	715079.9684	1-1/2 inch iron pipe with BLM Brass Cap "USD1 T23N R11E S5/S8 1/4 1978 BLM"
5-2	61393.5871	714269.4511	3 inch BLM Brass Cap

T.23N., R.11E., M.D.M.
SECTION 6



θ = +00°47'53"
At CM 54.15

K.P.
86.9
P.M.
54.0



STATE OF CALIFORNIA
BUSINESS, TRANSPORTATION, AND HOUSING AGENCY
DEPARTMENT OF TRANSPORTATION
DISTRICT 02
**RECORD OF SURVEY
OF MONUMENTATION**
IN A PORTION OF THE S 1/2 OF SECTION 6,
TOWNSHIP 23 NORTH, RANGE 11 EAST, M.D.M.
IN THE UNINCORPORATED AREA OF THE COUNTY
OF PLUMAS, STATE OF CALIFORNIA, ALONG
STATE HIGHWAY ROUTE 70, AT POST MILE 54.1
DECEMBER OF 2006 SHEET 4 OF 6

BEARINGS AND DISTANCES ARE BASED ON THE CALIFORNIA COORDINATE SYSTEM OF 1927, ZONE 1. DIVIDE DISTANCES BY 0.9998476 TO OBTAIN GROUND LEVEL DISTANCES. DISTANCES ARE EXPRESSED IN METERS UNLESS OTHERWISE NOTED. MULTIPLY DISTANCES EXPRESSED IN METERS BY 3937/1200 TO OBTAIN DISTANCES EXPRESSED IN U.S. SURVEY FEET.

SUPPLEMENTARY INFORMATION MAY BE OBTAINED FROM THE DISTRICT OFFICE, SURVEY DEPARTMENT OR RIGHT OF WAY ENGINEERING DEPARTMENT, 1657 RIVERSIDE DRIVE, REDDING, CA.