

RECORD OF SURVEY

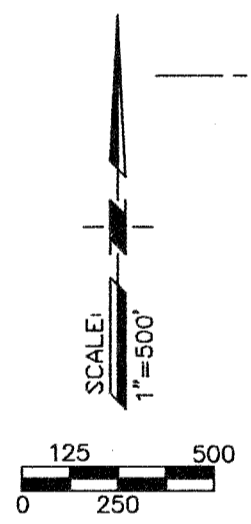
HUMBUG VALLEY

A PORTION OF

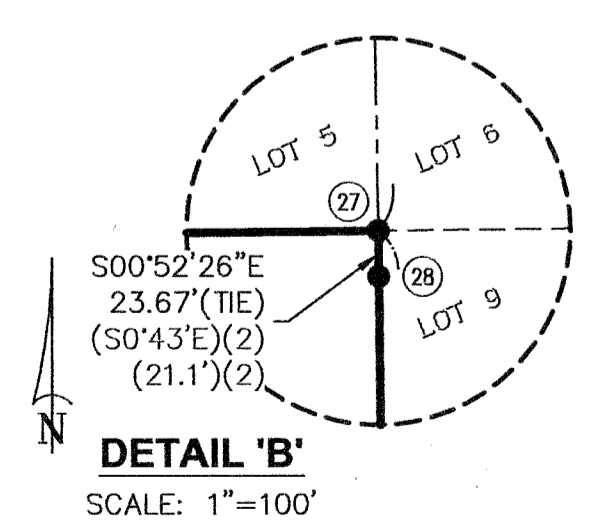
SECTIONS 1, 2 & 12, T.26N., R.6E., SECTIONS 5, 6, 7 & 18, T.26N., R.7E., SECTIONS 35 & 36, T.27N., R.6E., SECTION 31 T.27N., R.7E., M.D., B.&M.

UNINCORPORATED TERRITORY OF PLUMAS COUNTY, CALIFORNIA

SEPTEMBER 2019



SEE SHEET 1 FOR LEGEND, NOTES & BASIS OF BEARINGS



SEE SHEET 5

16RS58